

This mini LED strip connector is a new innovative design, the housing material is Clear polycarbonate. They are suitable for both SMD-based strips and COB-based strips. By using them, we can achieve reliable connection, seamless visual lighting effect. It makes the strips' connection process easily, **there will be no more stripped wires process.**

### PART NUMBERS



**Part No. HV9952**

Description: Strip-to-wires, Suitable for IP20 SMD/ COB strips, PCB width is 8MM, 2 PINs



**Part No. HV9953**

Description: Strip-to-wires, Suitable for IP20 COB strips, PCB width is 10MM, 2 PINs



**Part No. HV9954**

Description: Strip-to-wires, Suitable for IP20 SMD strips, PCB width is 10MM, 4 PINs



**Part No. HV9955**

Description: Strip-to-wires, Suitable for IP20 SMD strips, PCB width is 10MM, 4 PINs



**Part NO. HV9956**

Description: Strip-to-wires, Suitable for IP20 SMD strip, PCB width is 12MM, 5 PINs



**Part No. HV9957**

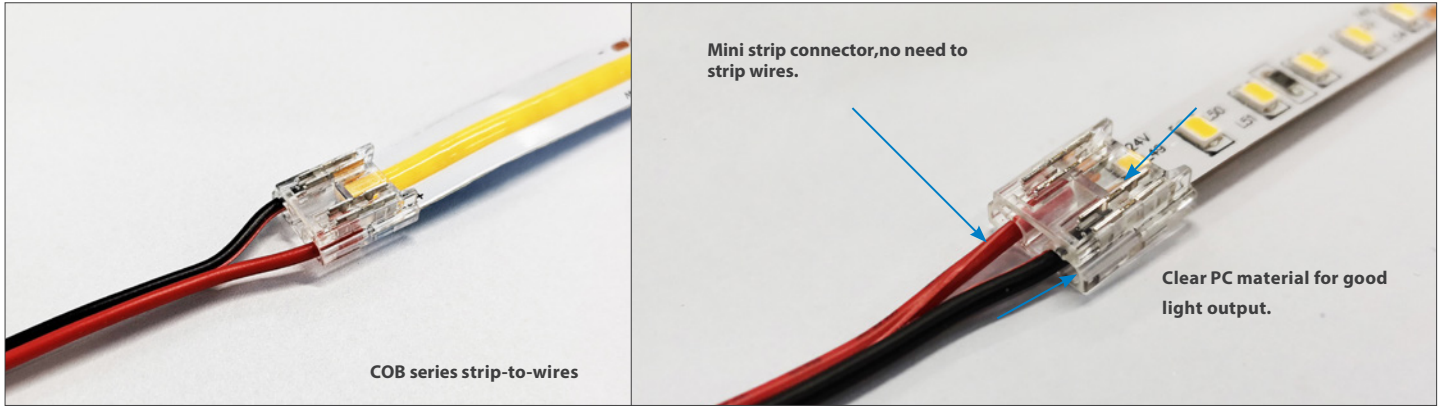
Description: Strip-to-wires, Suitable for IP20 SMD strip, PCB width is 12MM, 6 PINs

### TECHNICAL DATA

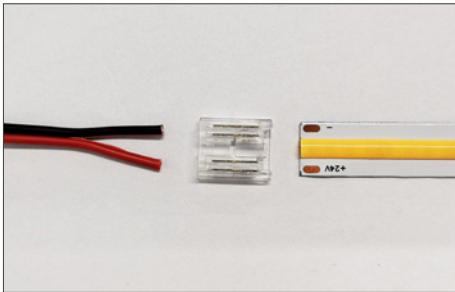
1. Rated Current  $\eta$  AWG20 6A Max PAWG22 3A Max
2. Rated Voltage  $\eta$  12v or 24v DC
3. Withstand Voltage: 24V
4. Temperature Resistance: 80 $\zeta$
5. Operating temperature: -20 $\zeta$  ~ +80 $\zeta$
6. Salt spray test: neutral salt spray 24H
7. Allowable humidity  $\eta$  15%~90%
8. Apply for  $\eta$  IP20 COB strip PO or IP20 SMD strips with matching PIN and PIN spacing



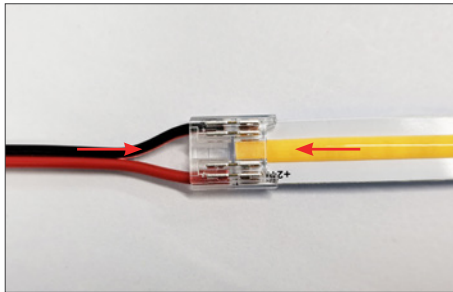
## PRODUCT ADVANTAGES



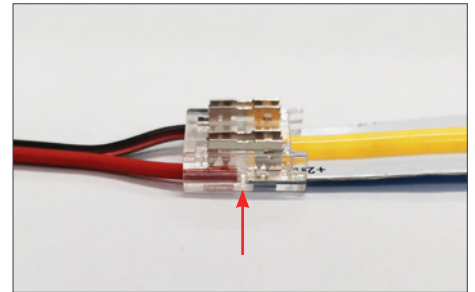
## INSTRUCTIONS



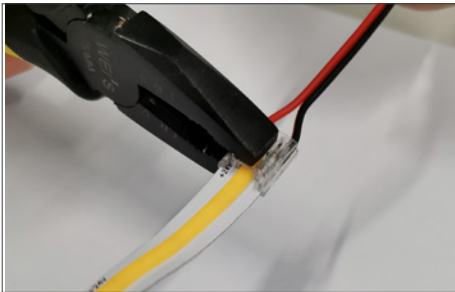
1. Prepare electrical wire and LED strip connector



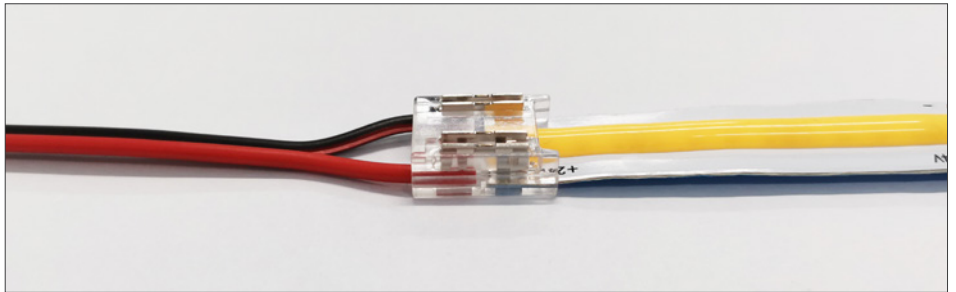
2. Assemble wire and strip with connector



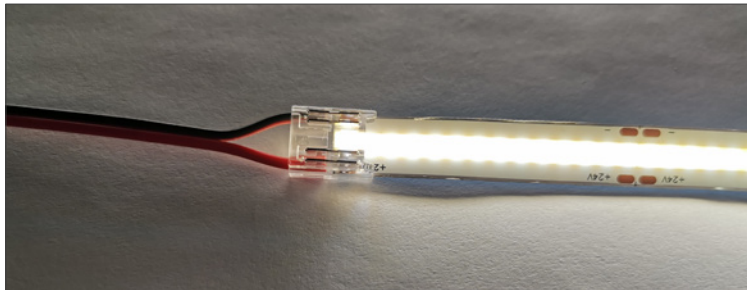
3. As shown in the picture



4. Use pliers to clamp the surface of connector, clamp one side and then the other side.



5. Finished

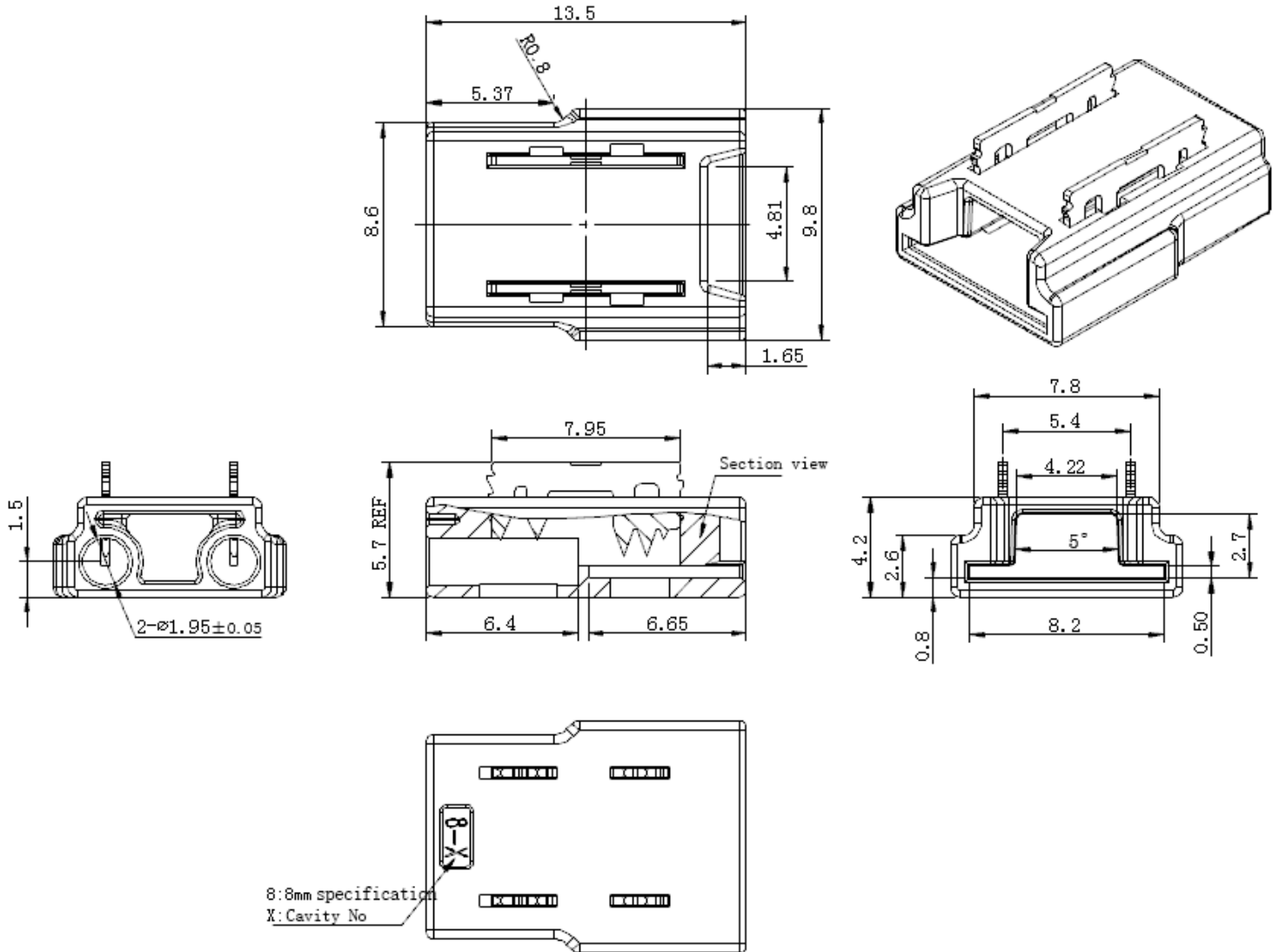


6. Turn on the strip

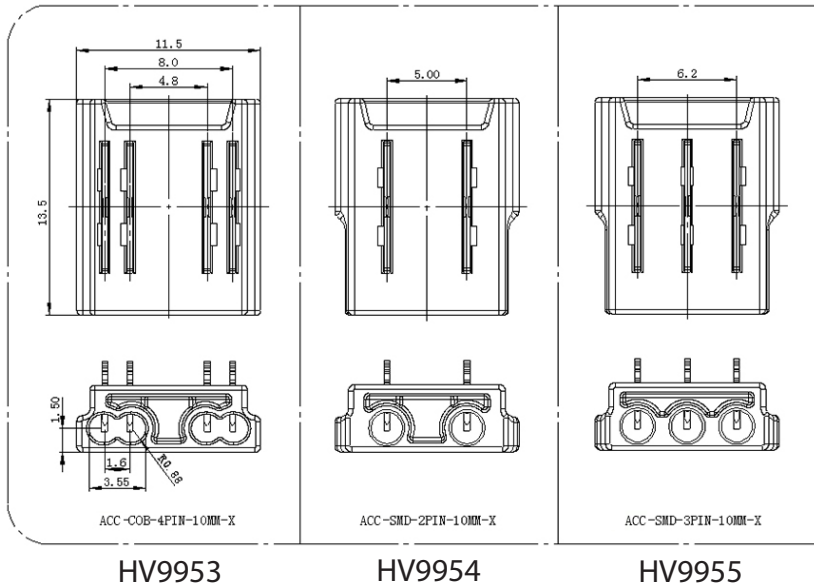
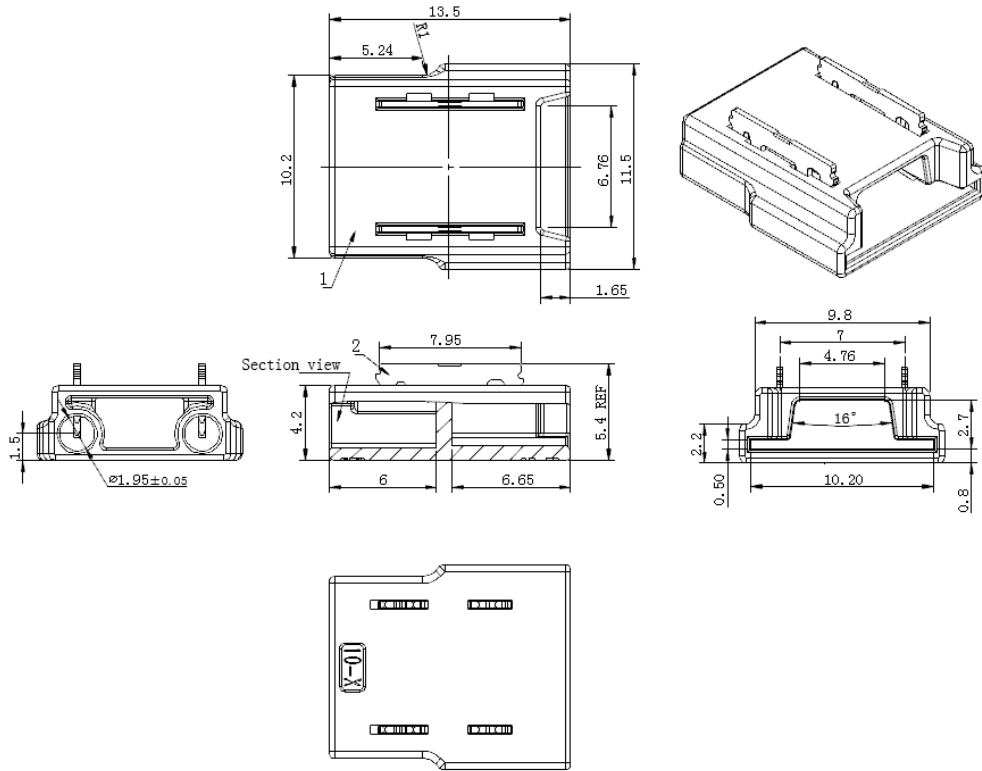


## 2. PRODUCT DIMENSIONS:

8mm Strip to Wire Connector: HV9952



10mm Strip to Wire Connector:



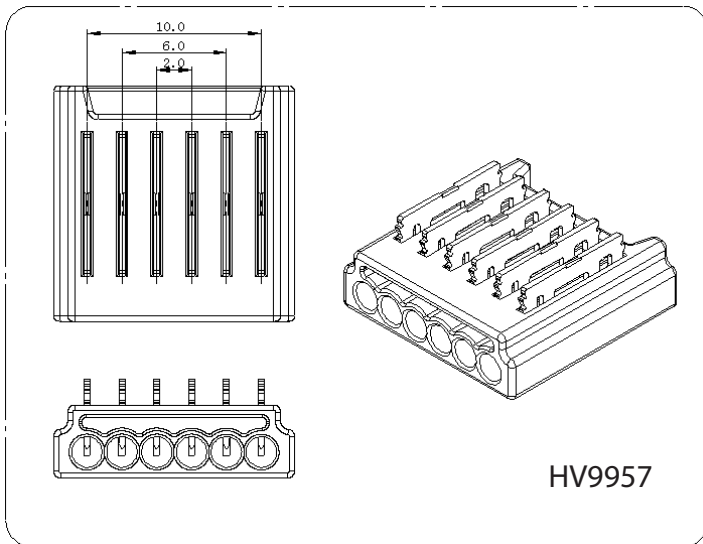
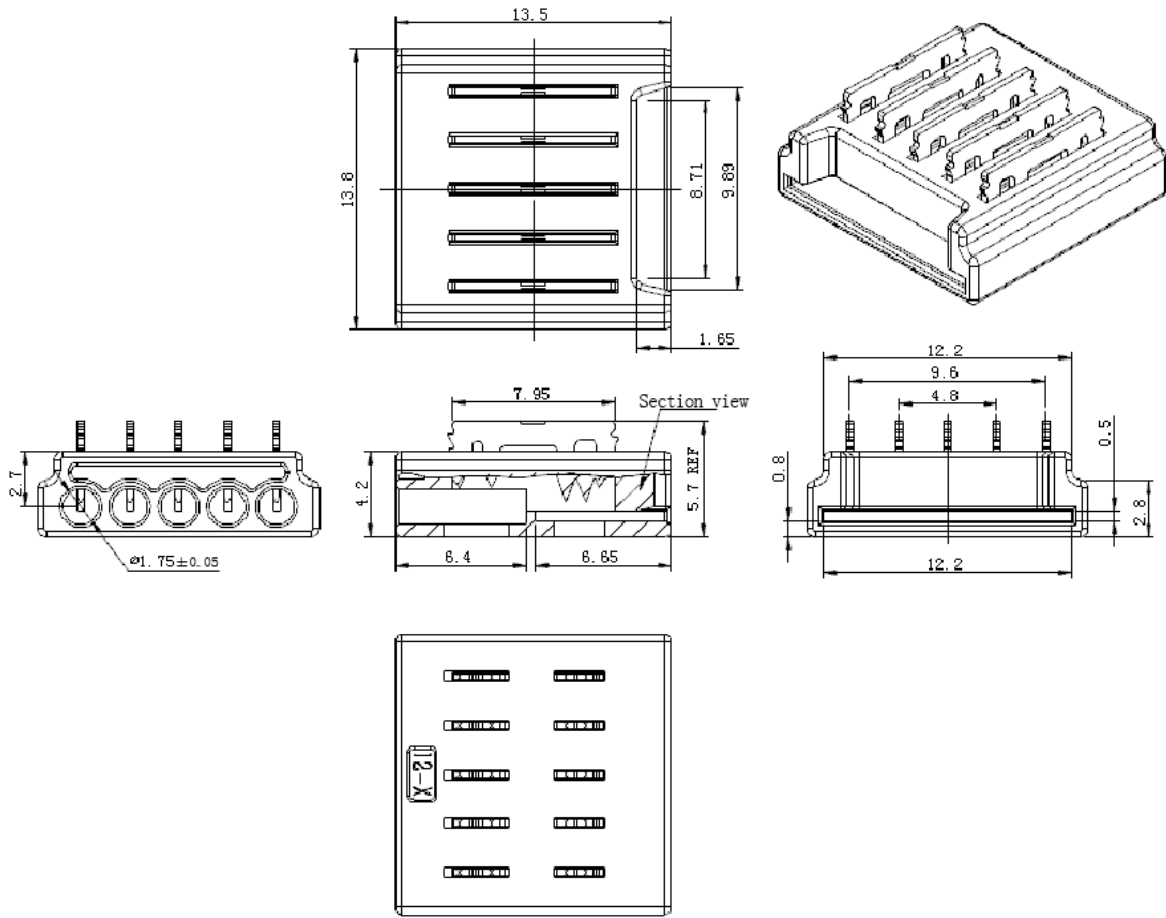
HV9953

HV9954

HV9955



## 12mm Strip to Wire Connector: HV9956



HV9957

**Note:** The marked view is the 5PIN benchmark, and the 6PIN is the same except for the number of PINs.

