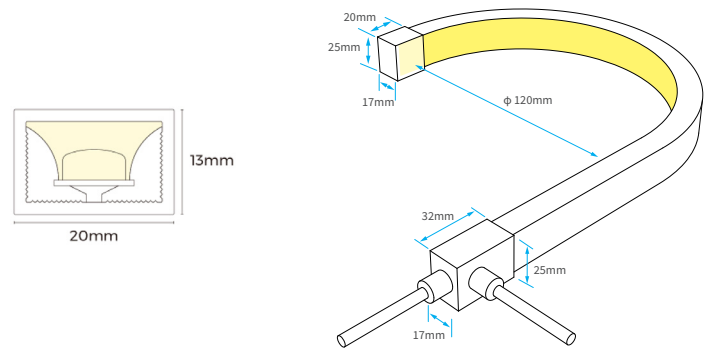
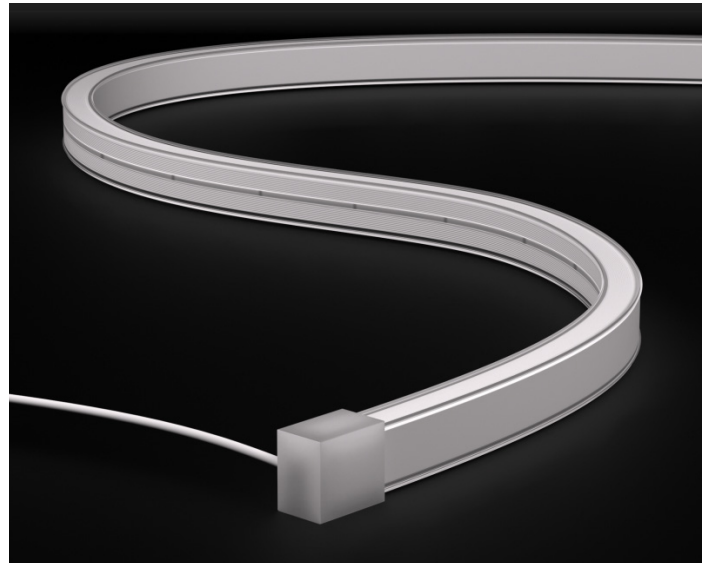


IP68 24v DC Top Bend Haviflex LED Strip



Watts Per Metre	Single Colour = 10w
	Changing Colour = 5w
Input Voltage	24v DC
Colour Temp	2700k 3000k 4000k 6500k RGB RGB + 4000K RGB + 3000K
Beam Angle	120°
IP Rating	IP68
Maximum Depth	3 Metres
Bending Radius	120mm
Size	25mm (W) x 17mm (H): inc End Caps 20mm (W) x 13mm (H): No End Caps
PCB	3oz
Wiring	Parallel
Lamp Expectancy	>50,000hrs
CRI	>80
Dimmable	Yes
LED Chip Type	2835
No. of Chips Per Metre	Single Colour = 320 RGB = 360 RGBN + RGBW = 336
Maximum Cut Length	10000mm - Single Feed
Cutting Increments	Single Colour + RGB = 50mm RGBN + RGBW = 83.3mm
Mounting	Mounting Clips (4x Supplied Per Metre)
Operating Temperature	0 - + 60° Celcius
Ambient Temperature	-20° - + 50° Celcius
Saltwater Resistant	<4%
Chlorine Resistant	Up to 10ppm
UV Resistant	Yes
Warranty	3 Years Replacement



Dimensions

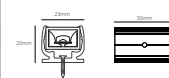
Bending Diagram

Mounting Clips

PC Clip



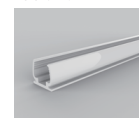
Model: HV9798-2018-MC
Size: 30x25x20mm



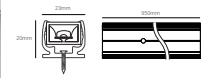
Cement Brick Wall

PC Channel

PC Channel



Model: HV9798-2018-PC
Size: 950x25x20mm



Cement Brick Wall

Product Ordering - Clips + Channel

Part Number	Description	Barcode
HV9798-1018-PC	950mm Plastic Channel	9350418043504
HV9798-1018-MC	Plastic Mounting Clips - Pairs	9350418043429

Product Ordering - Changing Colour

Part Number	Colour Temp	Lumens P/M	Barcode
HV9798-IP68-2013-RGB	RGB	100lm	9350418043474
HV9798-IP68-2013-RGBN	RGB + 4000K	150lm	9350418043481
HV9798-IP68-2013-RGBW	RGB + 3000K	140lm	9350418043498

*See Warranty Terms & Conditions for More Information



Warranty
Terms & Conditions



Website

Product Ordering - Single Colour

Part Number	Colour Temp	Lumens P/M	Barcode
HV9798-IP68-2013-2K	2700K	300lm	9350418043535
HV9798-IP68-2013-3K	3000K	330lm	9350418043443
HV9798-IP68-2013-4K	4000K	400lm	9350418043450
HV9798-IP68-2013-6K	6500K	400lm	9350418043467