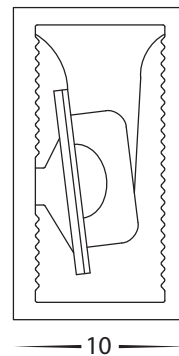


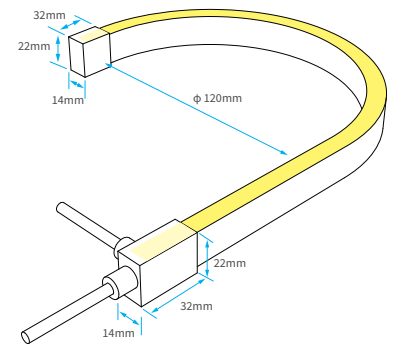
IP68 24v DC Side Bend Haviflex LED Strip



Watts Per Metre	Single Colour = 10w
	Changing Colour = 5w
Input Voltage	24v DC
Colour Temp	2700k 3000k 4000k 6500k RGB RGB + 4000K RGB + 3000K
Beam Angle	120°
IP Rating	IP68
Maximum Depth	3 Metres
Bending Radius	120mm
Size	14mm (W) x 22mm (H): inc End Caps
	10mm (W) x 18mm (H): No End Caps
PCB	3oz
Wiring	Parallel
Lamp Expectancy	>50,000hrs*
CRI	>80
Dimmable	Yes
LED Chip Type	2835
No. of Chips Per Metre	Single Colour = 320
	RGB = 360
	RGBN + RGBW = 336
Maximum Cut Length	10000mm - Single Feed
Cutting Increments	Single Colour + RGB = 50mm RGBN + RGBW = 83.3mm
Mounting	Mounting Clips (4x Supplied Per Metre)
Operating Temperature	0 - + 60° Celcius
Ambient Temperature	-20° - + 50° Celcius
Saltwater Resistant	<4%
Chlorine Resistant	Up to 10ppm
UV Resistant	Yes
Warranty	3 Years Replacement*

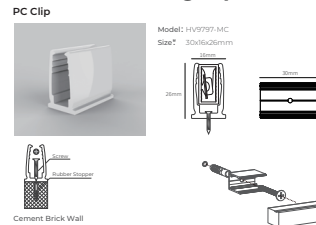


Dimensions

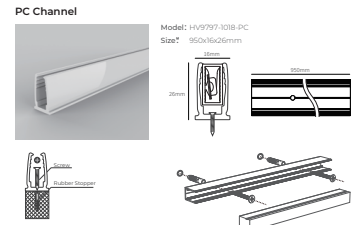


Bending Diagram

Mounting Clips



PC Channel



Product Ordering - Clips + Channel

Part Number	Description	Barcode
HV9797-1018-PC	950mm Plastic Channel	9350418043436
HV9797-1018-MC	Plastic Mounting Clips - Pairs	9350418043429

Product Ordering - Single Colour

Part Number	Colour Temp	Lumens P/M	Barcode
HV9797-IP68-1018-2K	2700K	300lm	9350418043528
HV9797-IP68-1018-3K	3000K	330lm	9350418043368
HV9797-IP68-1018-4K	4000K	400lm	9350418043375
HV9797-IP68-1018-6K	6500K	400lm	9350418043382

Product Ordering - Changing Colour

Part Number	Colour Temp	Lumens P/M	Barcode
HV9797-IP68-1018-RGB	RGB	100lm	9350418043474
HV9797-IP68-1018-RGBN	RGB + 4000K	150lm	9350418043481
HV9797-IP68-1018-RGBW	RGB + 3000K	140lm	9350418043498

*See Warranty Terms & Conditions for More Information



Warranty
Terms & Conditions



Website