

14.4w IP67 24v DC 120LED Side Bend Single Colour Haviflex LED Strip



Product Specifications

Watts Per Metre	14.4w
Input Voltage	24v DC
Colour Temp	3000k 4000k 5500k
Beam Angle	120°
Bending Radius	60mm
IP Rating	IP67
Size	12mm (W) x 17mm (H)
PCB	3oz
CRI	>80
Lamp Expectancy	>50000hrs
Wiring	Parallel
Dimmable	Yes
LED Chip Type	2835
No. Chips Per Metre	120
Maximum Cut Length	5000mm
Cutting Increments	50mm
Mounting	Mounting Clips (4x Supplied Per Metre)
Operating Temperature	0 - + 60° Celcius
Ambient Temperature	-20° - + 50° Celcius
Warranty	3 Years Replacement*



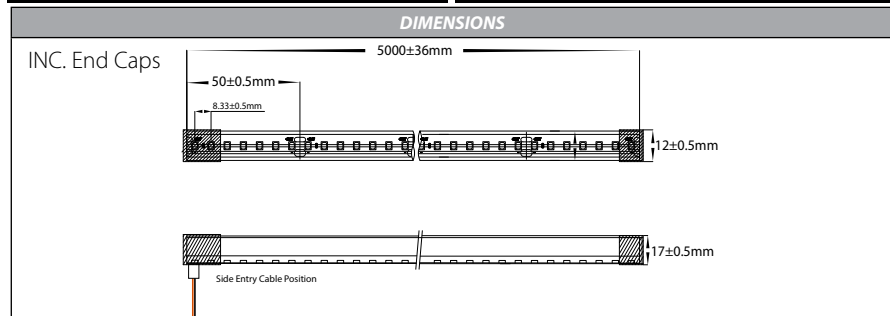
3000K



4000K



5500K



COMPATIBLE CONTROLLERS

Touch Panels RF + WIFI	Remote Controllers	Zigbee	RF + WIFI
<p>HV9101-2830A</p> <p>HV9105-1009-5C</p>	<p>HV9102-M1+M4-5A</p> <p>HV9105-1009-5C</p>	<p>HV9101-ZB-SCTP</p> <p>HV9102-ZB-SCREM</p> <p>HV9105-1009-5C</p>	<p>HV9102-2819DIM</p> <p>HV9105-1009-5C</p>

Product Ordering - Per Metre

Image	Part Number	Colour Temp	Lumens	Barcode
	HV9795-IP67-200-3K	3000K	600lm	9350418024688
	HV9795-IP67-200-4K	4000K	600lm	9350418024695
	HV9795-IP67-200-5K	5500K	600lm	9350418024701

Product Ordering - 20m Reels

Image	Part Number	Colour Temp	Lumens	Barcode
	HV9795-IP67-200-3K-20M	3000K	600lm	9350418031884
	HV9795-IP67-200-4K-20M	4000K	600lm	9350418031891
	HV9795-IP67-200-5K-20M	5500K	600lm	9350418031907

*Ordered after 01-01-2022

For More Information Contact Havit Lighting

143 Beauchamp Road
Matraville NSW 2036
Australia

Tel: 02 9381 8300
Fax: 02 9666 8881
Email: sales@havit.com.au
Web: www.havit.com.au



Warranty Terms & Conditions



www.havit.com.au

14.4w IP67 24v DC 120LED Side Bend Single Colour Haviflex LED Strip



Shown with Aluminium Channel

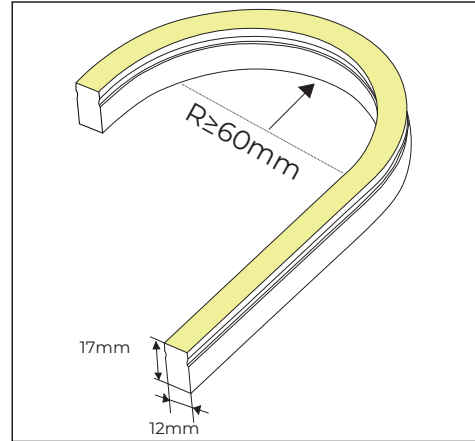
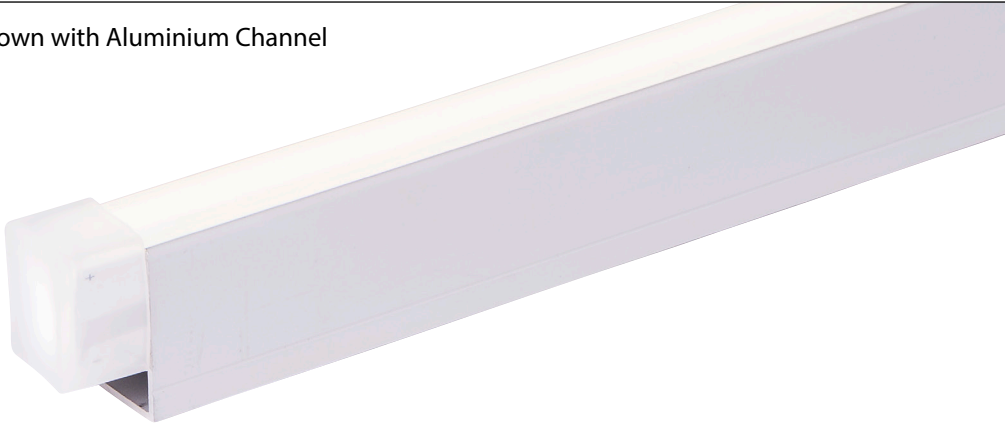


Image	Dimensions	Part Number	Description	Barcode
		HV9795-ALU	1000mm Length	9350418024664
		HV9795-1-ALU	Custom Cut Length Up to 3000mm	9350418042408
		HV9795-ALU-BEND	Bendable Channel (2x 500mm Lengths)	9350418024671
		HV9795-REC	Bottom Entry Solderless Connection End CAP	9350418032553
		HV9795-LSEC	Left Side Entry Solderless Connection End CAP	9350418032560
		HV9795-RSEC	Right Side Entry Solderless Connection End CAP	9350418033093
		HV9795-MC	2x Mounting Clips	9350418024657

*Ordered after 01-01-2022

For More Information Contact Havit Lighting

143 Beauchamp Road
Matraville NSW 2036
Australia

Tel: 02 9381 8300
Fax: 02 9666 8881
Email: sales@havit.com.au
Web: www.havit.com.au



Warranty Terms & Conditions



www.havit.com.au