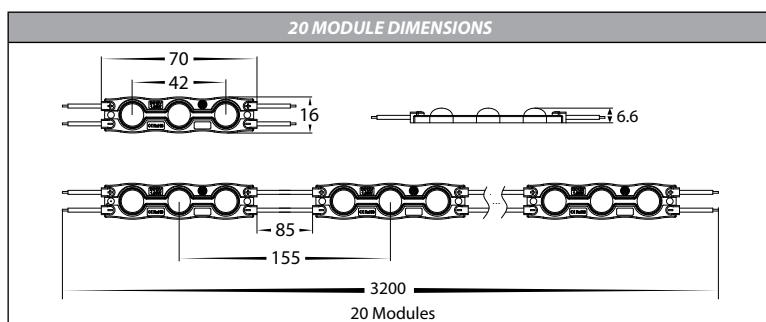
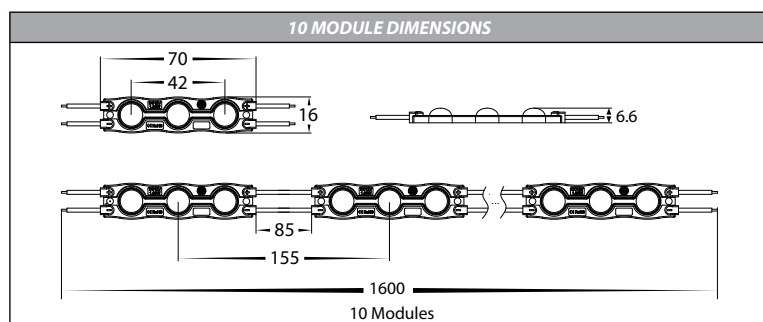
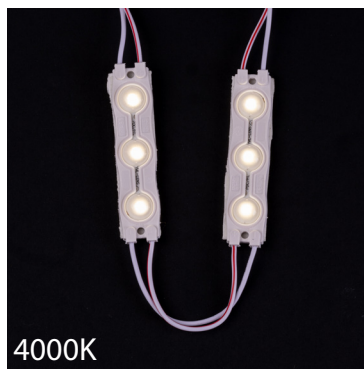
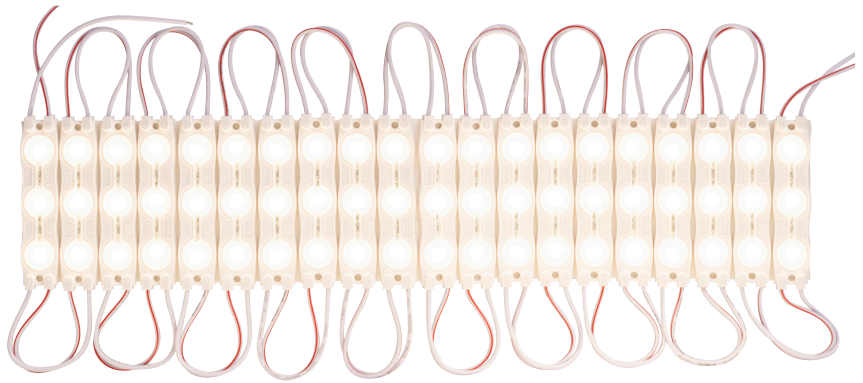


# 0.72w IP65 12v DC Signage Modules



## Product Specifications

Watts Per Module	0.72w
Input Voltage	12v DC
Colour Temp	3000K   4000K   5500K
Lumens Per Module	65lm   66lm   67lm
Beam Angle	160°
IP Rating	IP65
Size	70mm (W) x 6.6mm (H) x 16mm (D)
CRI	>80
Lamp Expectancy	>50000hrs
Wiring	Parallel
Dimmable	Yes
LED Chip Type	5050
No. Chips Per Module	3
Module QTY	10 or 20
Mounting	Double Sided Tape
Operating Temperature	0 - + 60° Celcius
Ambient Temperature	-20° - + 50° Celcius
Warranty	3 Years Replacement*



## Product Ordering - 10 Modules

Image	Part Number	Colour Temp	Lumens	Barcode
	<b>HV9794-IP65-10-3K</b>	3000k	65lm Per Module	9350418024824
	<b>HV9794-IP65-10-4K</b>	4000k	66lm Per Module	9350418029003
	<b>HV9794-IP65-10-5K</b>	5500k	67lm Per Module	9350418024831

## Product Ordering - 20 Modules

Image	Part Number	Colour Temp	Lumens	Barcode
	<b>HV9794-IP65-20-3K</b>	3000k	65lm Per Module	9350418024855
	<b>HV9794-IP65-20-4K</b>	4000k	66lm Per Module	9350418029010
	<b>HV9794-IP65-20-5K</b>	5500k	67lm Per Module	9350418024862

\*Ordered after 01-01-2022

For More Information Contact Havit Lighting

143 Beauchamp Road  
Matraville NSW 2036  
Australia

Tel: 02 9381 8300  
Fax: 02 9666 8881  
Email: sales@havit.com.au  
Web: www.havit.com.au



Warranty Terms & Conditions



www.havit.com.au