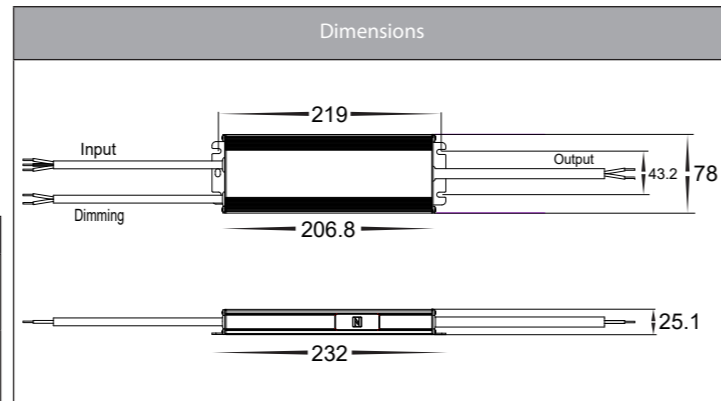
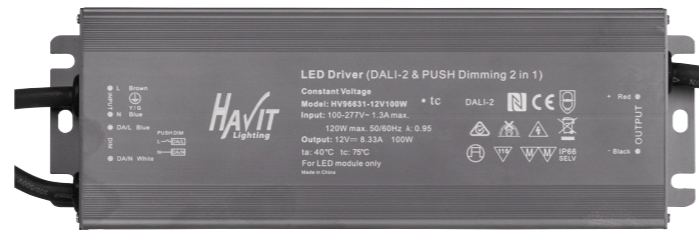


# 100w Dali + Push Dim Constant Voltage IP66 LED Driver

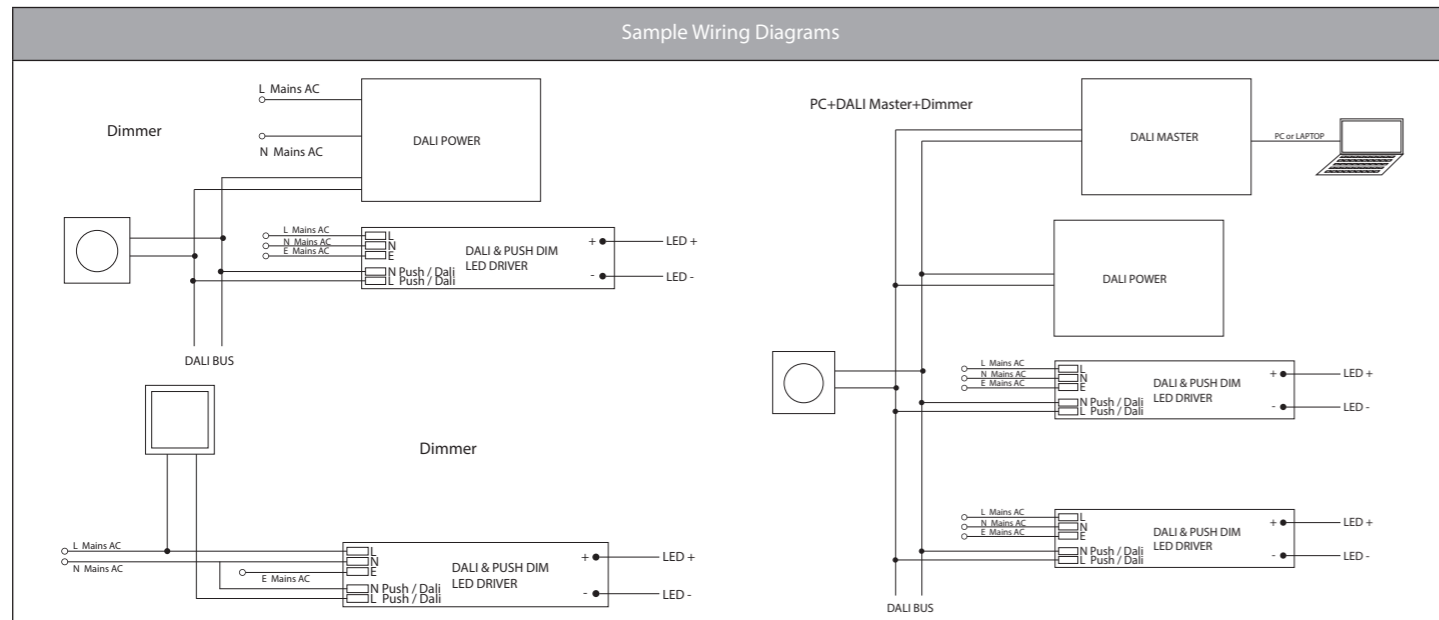
## Product Specifications

Material	Aluminium
Colour	Anodised Grey
IP Rating	IP66
Input Voltage	100 - 240v AC
Output Voltage	Available in either 12v DC or 24v DC
Max Wattage	100w
Recommended Max Wattage	80w
Protection Class	Class 1 (Earth Required)
Dimming Methods	Dali or Push Dim
Dimming Range	5% - 100%
Protections	Short Circuit, Overload, Over Temperature.
Warranty	3 Years Replacement*



## Product Ordering

Part Number	Output Voltage	Barcode
<b>HV96631-12V100W</b>	12v DC Constant Voltage	9350418027573
<b>HV96631-24V100W</b>	24v DC Constant Voltage	9350418027634



\*Items ordered after 01-01-2022



Part Number		HV96631-12V100W	HV96631-24V100W	
Output	DC Voltage	12v DC (12-13.5V Adjust by NFC)	24v DC (24-26V Adjust by NFC)	
	Voltage Tolerance	± 0.2V		
	Rated Current	8.34A	4.17A	
	Rated Power	100W		
	Load Regulation	± 2%		
Input	Standby Power Consumption	≤ 0.5W	≤ 0.5W	
	Voltage Range	100-277V AC		
	Frequency Range	47 - 63Hz		
	Power Factor (TYP.) @ Full Load	PF≥0.98 @ 120V AC   PF≥0.96 @ 230V AC   PF≥ 0.95 @ 277V AC (Full Loading)		
	THD(Typ.) @ Full Load	≤10% @ 120V AC   ≤ 10% @ 230V AC   ≤15% @ 277V AC		
	Efficiency(Typ.)@ Full Load	86% @ 120V AC   89% @ 230V AC   89% @ 277V AC		
	AC Current (Max)	1.3A	1.3A	
	Inrush Current (TYP)	8.4A, 940us@50% Ipeak (120V AC)		
		48.4A, 370us@50% Ipeak (230V AC)		
		21.6A, 960us@50% Ipeak (277V AC)		
Leakage Current	.05mA			
Protections	Short Circuit	Hiccup mode, Recover automatically after fault condition is removed		
	Overload	≤120%, Hiccup mode, Recover automatically after fault condition is removed		
	Over Temperature	Ambient Temperature Over 55°C ± 10°C, Output will turn off and recovers automatically after temperature drops.		
Environment	Working Temp.	-40°-+60°C		
	Working Humidity	20-90%RH, Non Condensing		
	Storage TEMP. Humidity	-40 - +80°C, 10 - 95% RH		
	TEMP. Coefficient	≤0.03%/°c (0-50°C)		
	Vibration	10-500Hz, 2g 10min./1 Cycle, Period for 60min, each along X,Y,Z axes		
Safety & EMC	Safety Standards	EN61347-1		
	Isolation Resistance	I/P-O/P I/P-FG O/P-FG:100MΩ/500VDC/25°C/70%RH		
	EMC Emission	EN55015   EN61000-3-2 EN61000-3-3 (EU)≥50% Load & FCC Part 15 B (US)		
	EMC Immunity	EN61000-4-2,3,4,5,6,11   EN61547		
Others	Weight	0.35Kg		