

100w IP66

Triac Dimmable Weatherproof LED Driver

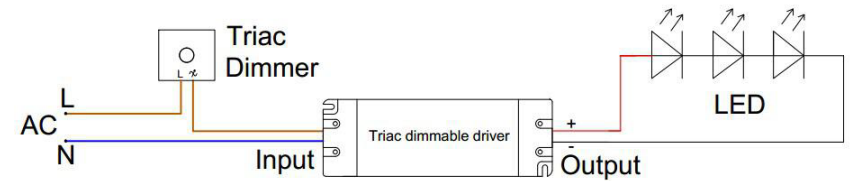
Material	Aluminium
Colour	Grey
IP Rating	IP66
Input Voltage	240v AC
Output Voltage	Available in either 12v DC or 24v DC
Max Wattage	100w (Recommended Max Wattage = 80w)
Protection Class	1 (Earth Required)
Wiring	Parallel
Dimming Range	10% - 100%
Dimmable	Yes (Triac)
Protections	Short Circuit, Overload, Over Temperature
Warranty	3 Years Replacement



Product Ordering

Part Number	Output Voltage	Barcode
HV9660-12V100W	12v DC Constant Voltage	9350418009654
HV9660-24V100W	24v DC Constant Voltage	9350418009661

Sample Installation Diagram



Website



Warranty
Terms & Conditions

Compatible with

Single Colour LED Strip

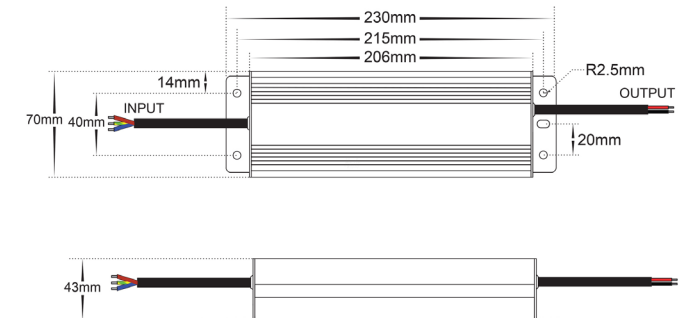


HV9625



240V Dimmer

Dimensions



		HV9660-12V100W	HV9660-24V100W
Output	DC Voltage	12v DC	24v DC
	Voltage Tolerance	± 0.5V	± 0.5V
	Rated Current	8.33A	4.16A
	Rated Power	100W	
	Line Regulation	± 1V	
	No. Output Cables	± 2V	
	Set up time	2000ms, 50ms(at full load) 110V AC / 230V AC	
	Holding time (Typ.)	15ms(at full load) 110V AC / 230V AC	
	Ripple and Noise(max)	120mVp-p	240mVp-p
	Load Regulation	± 2%	
Input	Voltage range Note 2	180~240V AC	
	Frequency Range	47 - 63Hz	
	Power Factor (TYP) @ Full Load	0.95	
	Efficiency(Typ.)@ Full Load	88%	90%
	AC Current (Max)	0.8A / 230V AC	
	Inrush Current (TYP)	Cold start: 50A / 230V AC	
	Leakage Current	<0.5mA / 240V AC	
Protections	Short Circuit	Hiccup mode, Recover automatically after fault condition is removed	
	Overload	<120%	
	Over Temperature	Ta: 60°C ~ 70°C	
Environment	Working Temp.	Ta: -40°C ~ +60°C	
	Working Humidity	20%~90% RH, non-condensing	
	Storage TEMP. Humidity	-40°C ~+80°C, 10%~95% RH	
	TEMP. Coefficient	± 0.03%/°c (0-50°c)	
	Vibration	10~500Hz, 2G 12min./ 1 Cycle, Period for 72min, each along X,Y,Z axes	
Safety & EMC	Safety Standards	Compliance to EN61347-1, EN61347-2-13, AS/NZS61347-1, IP66 waterproof rating.	
	Isolation Resistance	I/P-O/P, I/P-FG, O/P-FG: 100Mohms/500Vdc 25°C /70%RH	
	EMC Emission	Compliance to AS/NZS CISPR15	
	EMC Immunity	Compliance to AS/NZS CISPR15	

