

# 5 Channel LED Strip Repeater

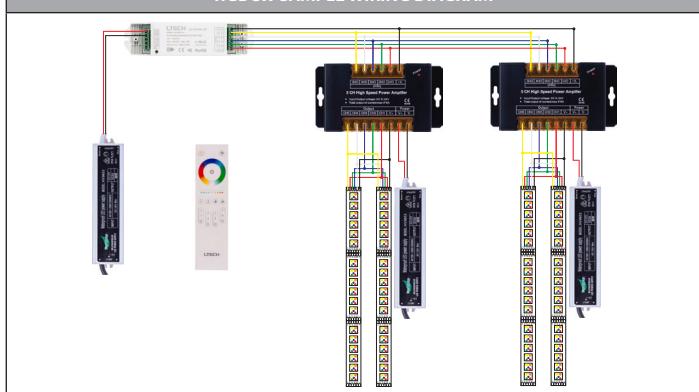


## Product Specifications

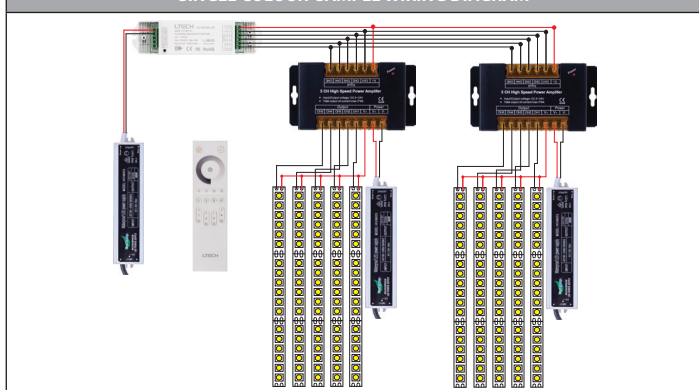
Material	Aluminium
Colour	Black
IP Rating	IP20
LED Strip Type	All LED Strip
No. of Channels	5
Input Signal	PWM
Input Voltage	12v DC or 24v DC
Output Power	Single Colour: 12v DC = 360w   24v DC = 720w
	CT: 12v DC = 288w   24v DC = 576w
	RGB: 12v DC = 216w   24v DC = 432w
	RGBW: 12v DC = 288w   24v DC = 576w
Dimmable	Yes - 0.1%-100%
Warranty	3 Years Replacement*



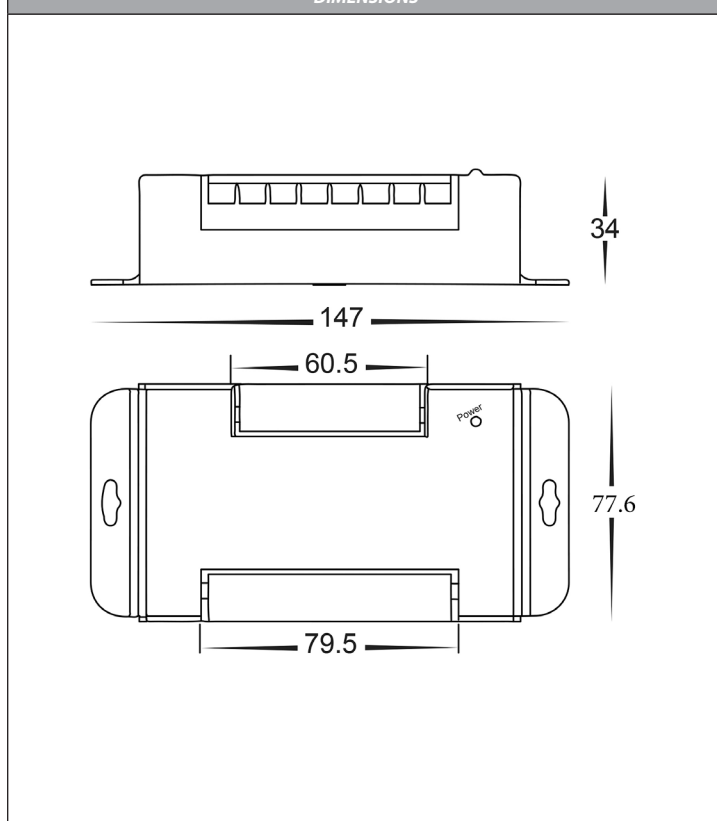
RGBCW SAMPLE WIRING DIAGRAM



SINGLE COLOUR SAMPLE WIRING DIAGRAM



DIMENSIONS



## Product Ordering

Part Number	input Voltage	No. Channels	Output Power	Barcode
<b>HV9636</b>	12v DC or 24v DC	5	5x 6A (360w   720w)	9350418026156

\*Items ordered after 01-01-2022

<b>Contact Details:</b>	
143 Beauchamp Road Matrville NSW 2036 Australia	Tel: 02 9381 8300 Fax: 02 9666 8881 Email: sales@havit.com.au Web: www.havit.com.au

<b>Warranty Terms &amp; Conditions*</b>

<b>www.havit.com.au</b>