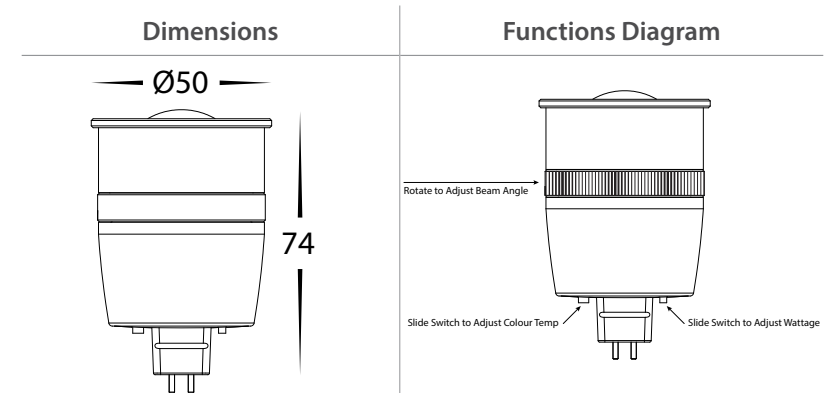


Adjustable Wattage & Beam Angle MR16 LED Globe

Material	Aluminium
Colour	Black
IP Rating	IP20
Colour Temp	2700K, 3000K, 4000K
Diffuser Type	Perspex
Lamp Base	MR16
Max Wattage	4-6w (Adjustable on Globe)
Beam Angle	15° - 60° Adjustable
Protection Class	3 (Low Voltage - No Earth Required)
Lamp Expectancy	<50,000hrs*
CRI	CRI>90
SDCM	<3
UGR	<29
Dimmable	Yes - Triac Dimmable (12v DC Only)
Warranty	3 Years Replacement*



Sample Havit Compatible Fittings

Image	Part Number	Description
	Up & Down Wall Lights	See Website for full range of MR16 Up & Down Wall Lights
	Single Adjustable Wall Lights	See Website for full range of MR16 Single Adjustable Wall Lights
	Double Adjustable Wall Lights	See Website for full range of MR16 Double Adjustable Wall Lights
	Spike Lights	See Website for full range of Garden Spike Lights
	Inground Lights	See Website for full range of MR16 Inground Lights



Product Ordering

Image	Part Number	Colour Temp	Lumens	Input Voltage	Beam Angle	Included LED	Barcode
	HV9501	2700K 3000K 4000K	150-325lm 165-370lm 175-375lm	12v-24v DC	15°-60° Adjustable	TRI Colour 4-6w Built in LED	9350418041401

Optional Havit Compatible Accessories

Image	Part Number	Description
LED Drivers		
	Non Dimmable LED Drivers	See Catalogue or Website for full range of 12v DC & 24v DC LED Drivers
	Triac Dimmable LED Drivers	See Catalogue or Website for full range of 12v DC Triac Dimmable LED Drivers



Havit Lighting 143 Beauchamp Road, Matraville, N.S.W. 2036 | Phone: 02 9381 8300 | Fax: 02 9381 6661 | Email: sales@havit.com.au | Web: www.havit.com.au

*See Warranty Terms & Conditions for more information