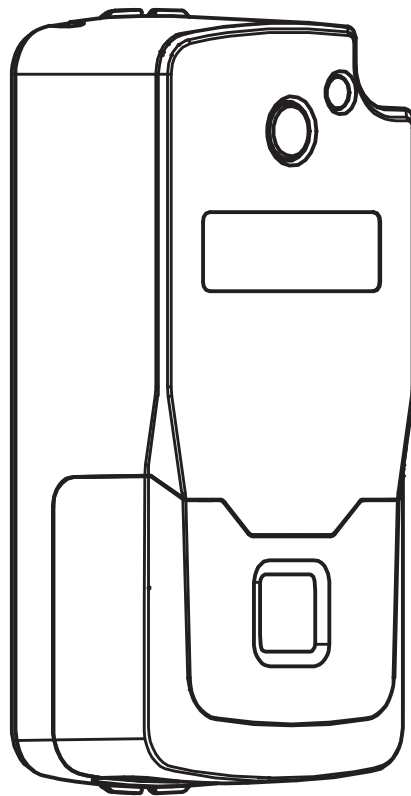




HV9274

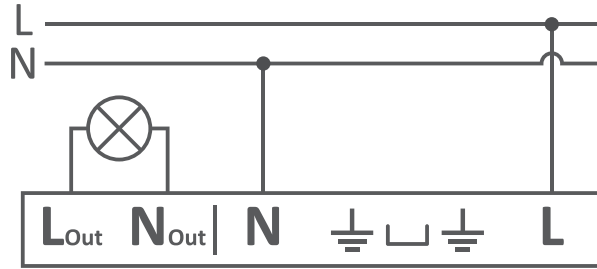
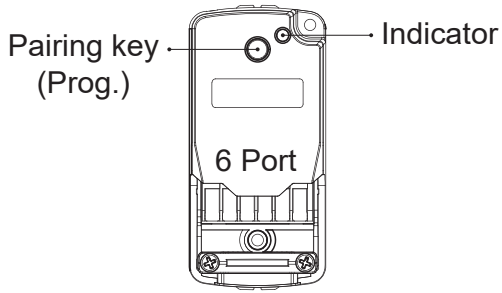
Installation Instructions



AC Triac Dimmer

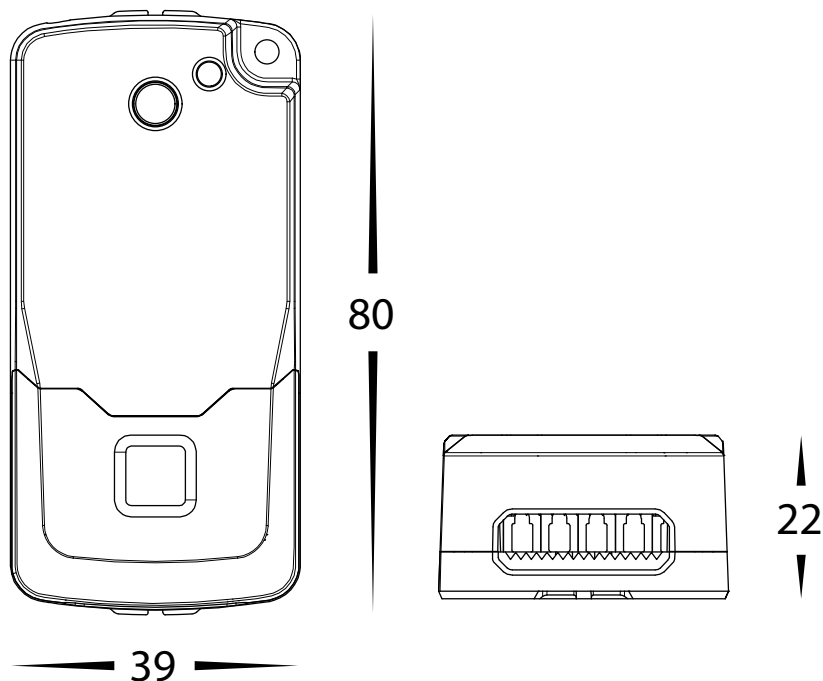
A. PRODUCT SPECIFICATIONS

1CH  RC | Trailing Edge



PRODUCT CODE	HV9274
INPUT VOTAGE	100-240Vac 50/60Hz
LOAD	LED 300W or 1.3A Max. / Resistive Load 500W or 2A Max.
RADIO FREQUENCY	RF433Mhz
SMART PROTOCOL	\
WALL SWITCH COMPATIBLE	Yes
CHANNEL	1 Channel
IP RATING	IP20
TEMP. RANGE	-20 ~ 40°C
HOUSING TEMP.	Tc: 85°C
LIFETIME	50000 Hours

B. PRODUCT DIMENSIONS

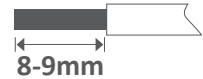


C. INSTALLATION

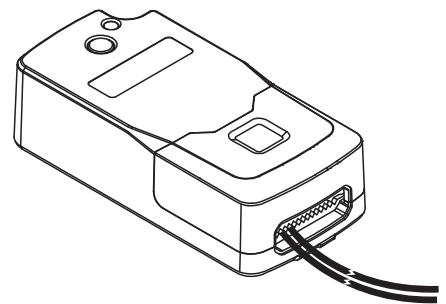
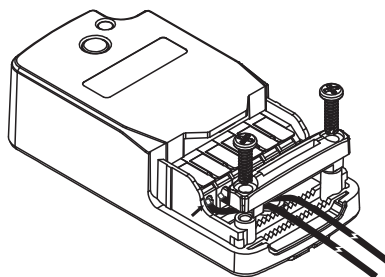
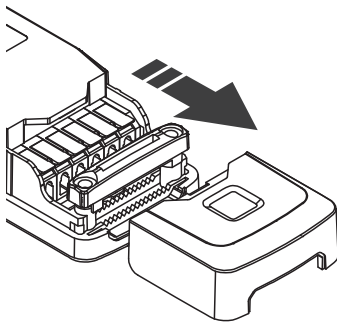


Warning: installation should be carried out professional electricians.

Cable Size: 0.4-2.5mm²



- (a) Slide the terminal protector to remove it from the case;
- (b) Loose cable clip screws before connecting cables to the terminals;
- (c) Insert the conductor of cables to the terminals;
- (d) Ensure only cable sleeve being outside from terminal ports, no conductor of cables are visible at ports.
- (e) Fasten cable clips.
- (f) Slide the terminal protector back to the case to complete the installation.



D. WIRING DIAGRAM

L: Live

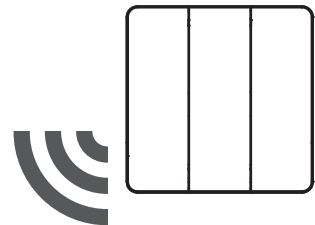
N: Neutral

⊥: Earth

L1: Live Out

N1: Neutral Out

RF433 Remote



LED 300W or 1.3A
Resistive Load 500W or 2A

100-240Vac
50/60Hz

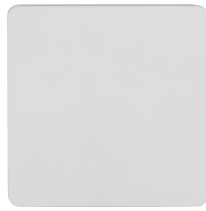


- a. Power must be turned off before installation.
- b. Installation must be carried out by professional electrician.

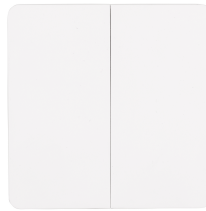
*COMPATIBLE RF433 REMOTE (ORDER SEPARATELY)

1. Self-powered

*Please refer to the related RF remotes user manual on how to work.



HV9261



HV9262

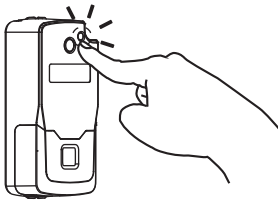


HV9263

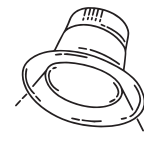
G. UNPAIRING - RF433 REMOTE

Option 1:

Press and hold the Prog. Key for **9s** until the indicator to **flash alternately between RED & GREEN** and release to enter RF remote unpairing mode(**30s**) - the light would flash **twice** and stay on.



Hold on Prog.Key over **9s**
Indicator: **RED & GREEN**
alternating flashing



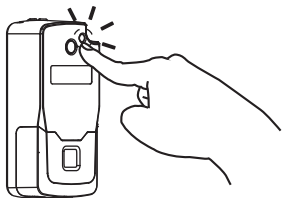
Light flashes **Twice**
and stay on

Option 2. - Use a paired remote to unpair another paired remote

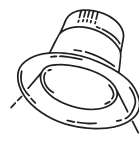
*Please refer to the remote's user manual on how to use a paired remote to unpair another paired remote.

H. FULL FACTORY RESET

Press and hold the Prog. Key for **15s** until the indicator flashes **YELLOW** to complete a full factory reset - the light would flash **5 times** and stay on.



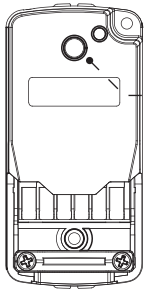
Hold on Prog. key over **15s**
Indicator: **YELLOW** flashing



Light flashes **5 times**
and stay on

*Note: this will clear all RF Remote and APP pairings on this controller!

J. MINIMUM BRIGHTNESS SETTING



→Prog. Key

Short press Prog. Key to setting the minimum brightness.

This helps avoid flicker or the light turning completely off during use, improving compatibility.

Once the minimum dimming level is set, the dimmer receiver will not dim below this level.

How to setting the dimming minimum brightness:

Default: 10% Range: 1% – 40%

- Single press the Prog. Key to adjust the minimum brightness.
- Each press increases to the next level (+3%)

*Once the desired level is set, the dimmer receiver will remember it automatically and will not dim below this level, even when controlled via an app.

MUST BE INSTALLED BY A LICENSED ELECTRICIAN

Contact Details:

143 Beauchamp Road
Matraville NSW 2036
Australia

Tel: 02 9381 8300
Fax: 02 9666 8881
Email: sales@havit.com.au
Web: www.havit.com.au

Warranty Terms & Conditions*



www.havit.com.au

