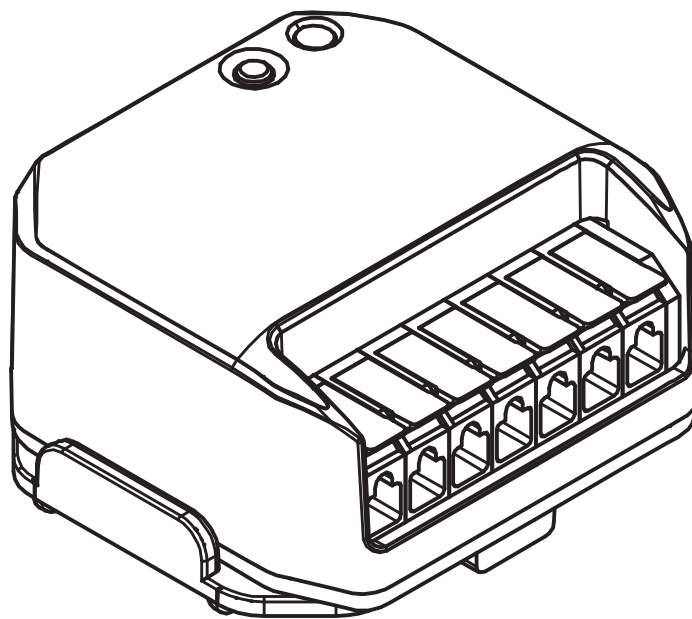




HV9273

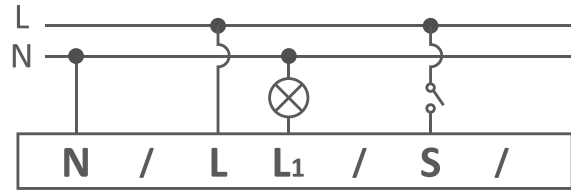
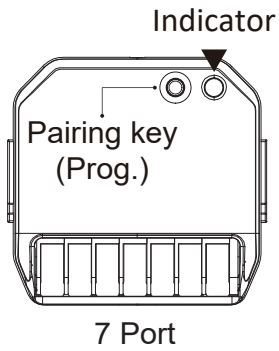
Installation Instructions



AC On/Off Controller

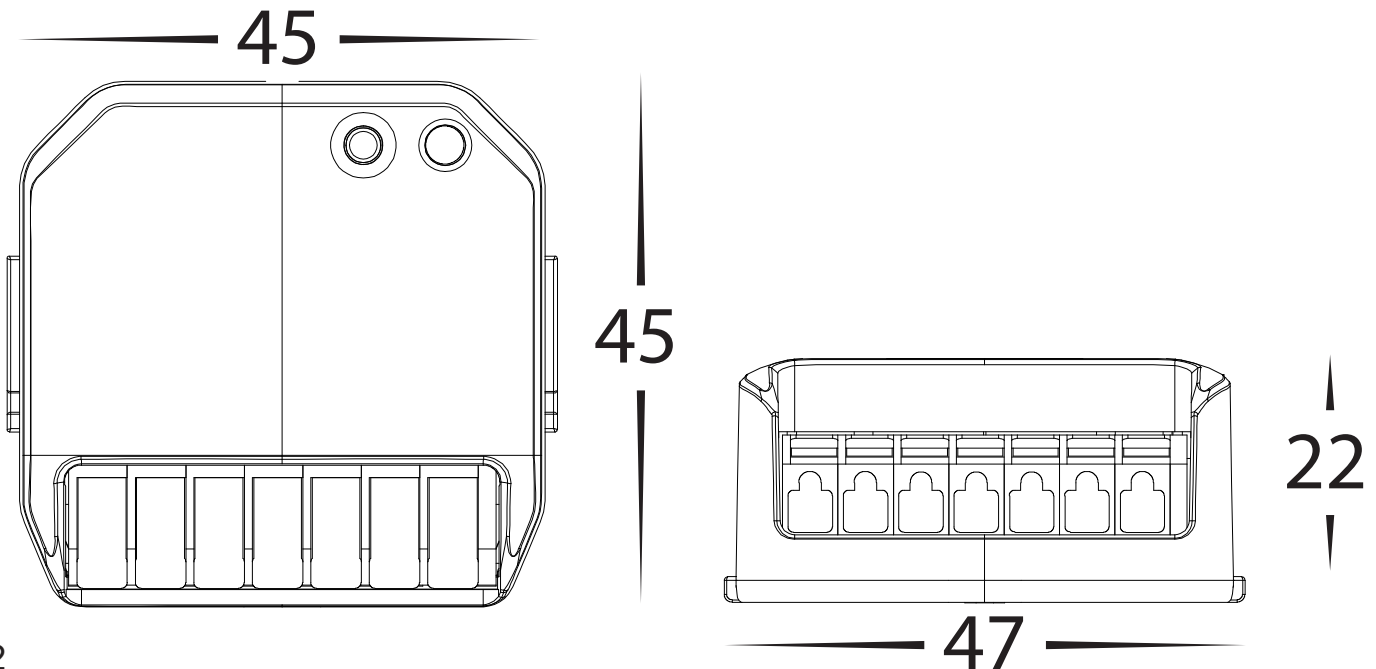
A. PRODUCT SPECIFICATIONS

1CH



PRODUCT CODE	HV9273
OUTPUT CURRENT	LED 800W or 13A Max., 100-240Vac 50/60Hz
RADIO FREQUENCY	RF433Mhz
SMART PROTOCOL	\
WALL SWITCH COMPATIBLE	Yes
CHANNEL	1CH
IP RATING	IP20
TEMP. RANGE	-20 ~ 40°C
HOUSING TEMP.	Ta: 40°C Tc: 85°C
LIFETIME	50000 Hours

B. PRODUCT DIMENSIONS

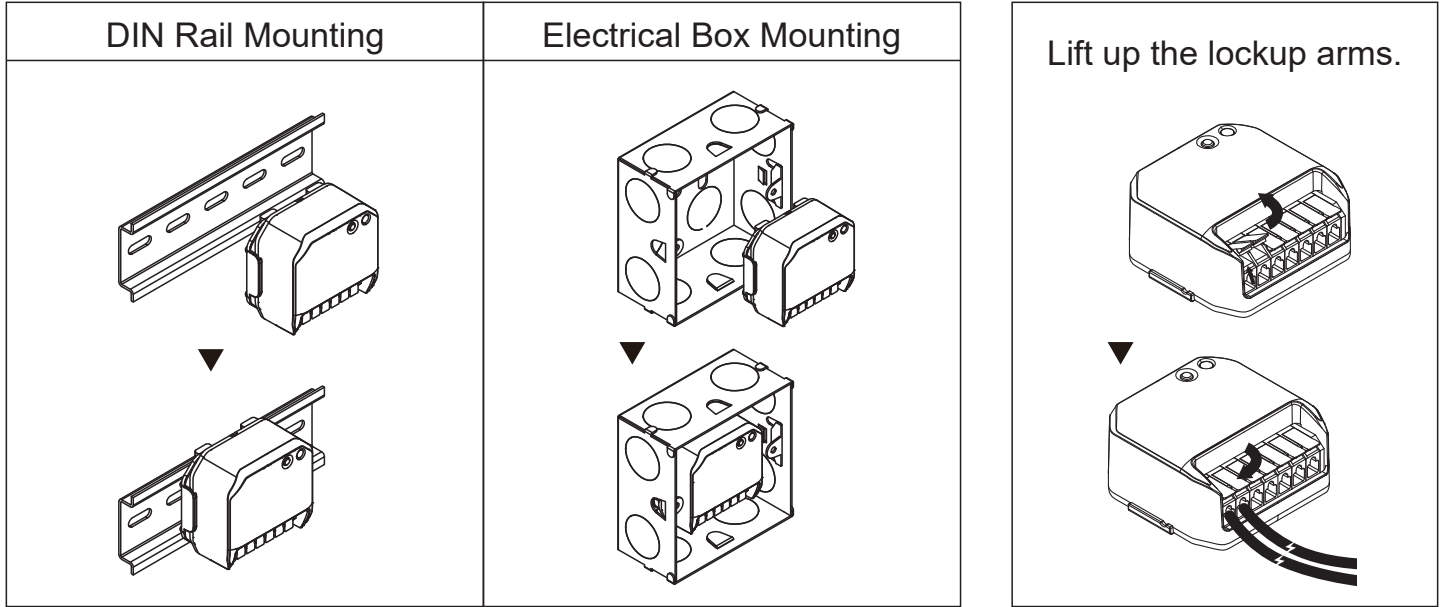


C. INSTALLATION

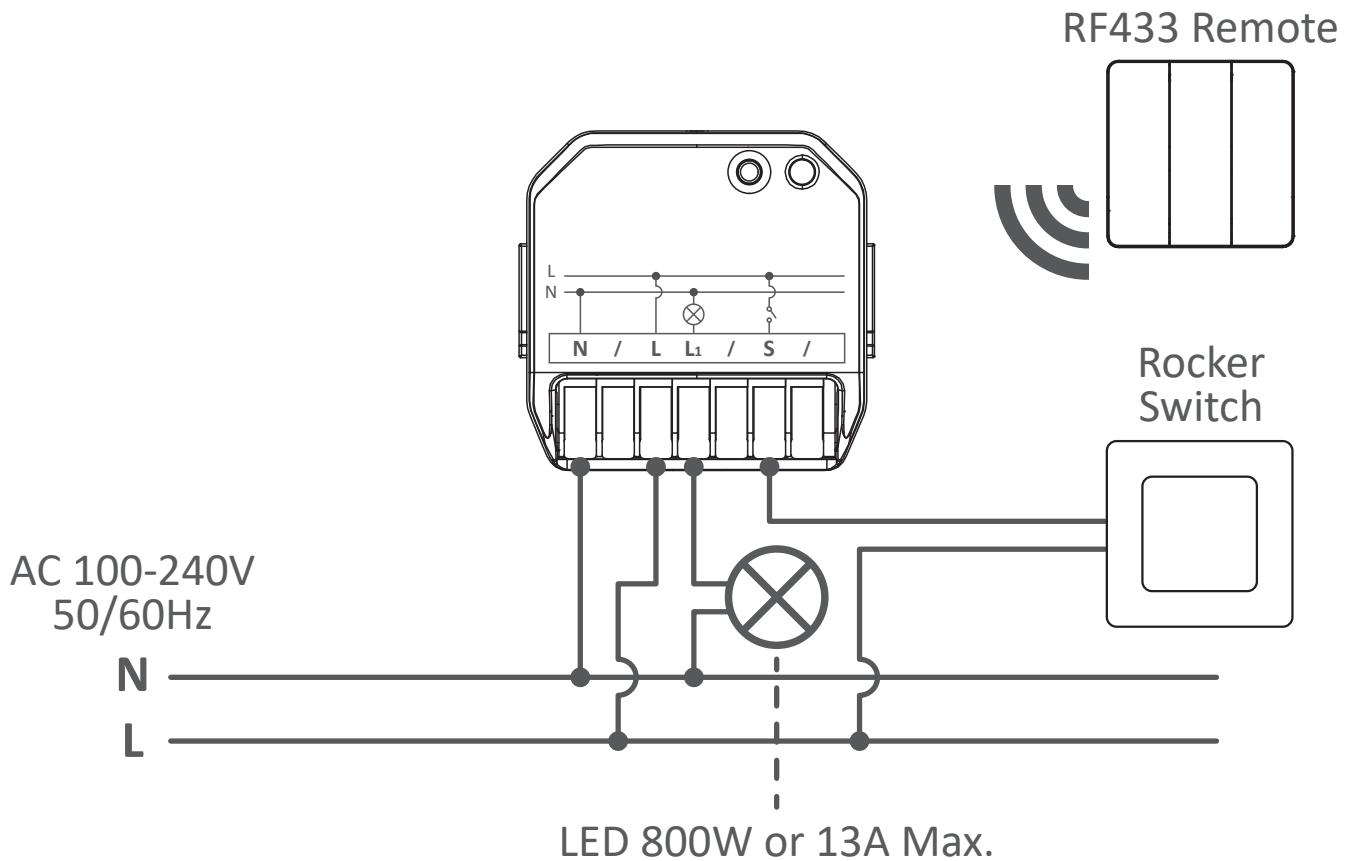


INSTALLATION CAUTIONS:

- a. Installation must be carried out by licensed electricians.
 - b. Do not over-lift the lockup arms on the terminals.
- Max opening angle is within 30° from the closed position.



D . WIRING DIAGRAM

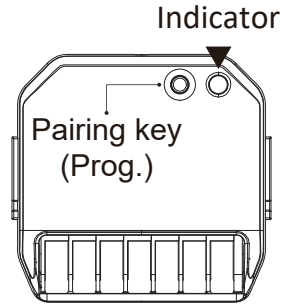


- a. Power must be turn off before installation.
- b. Installation must be carried out by professional electrician.

E. PAIRING PROCESS OVERVIEW

Short press Prog. Key to turn on/off the light:

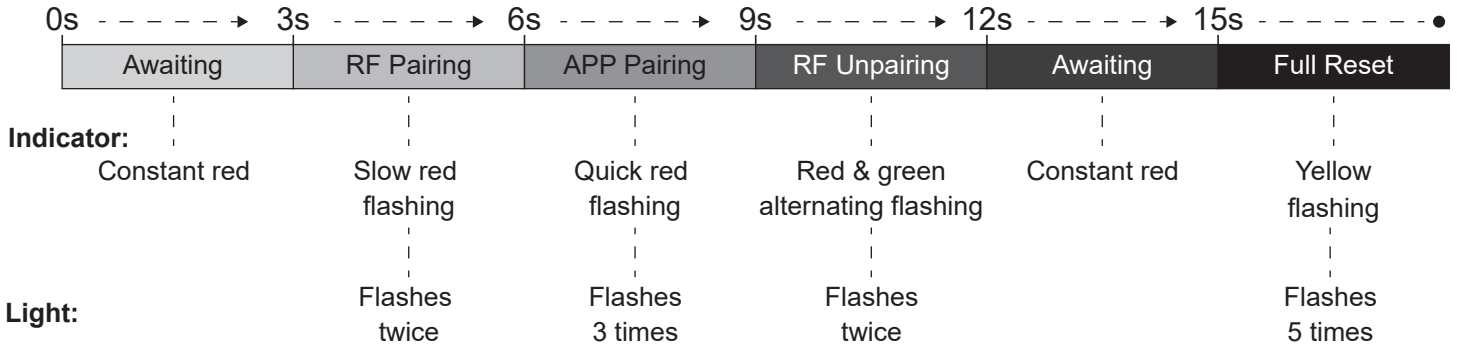
- Turn On - Indicator: Steady Green
- Turn Off - Indicator: Flashing Green



Long Press Prog. Key: Functions:

Or Within 4s of power-on

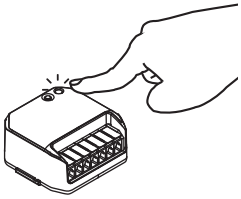
Or Turn on/off Power Supply 5 Times



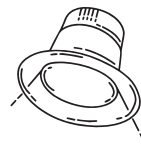
F. PAIRING - RF433 REMOTE

Option 1.

Press and hold the Prog.Key for **3s** until the **RED** indicator flashes slowly, and release to enter the pairing mode(**30s**) - the light will flash **Twice** and stay on, press the pairing key of the remote **ONCE** to complete the pairing.



Hold on Prog.key over **3s**
Indicator: **RED** flashes **slowly**



The light flashes **Twice** and stay on

Option 2. - Quick Pairing

Within 4s of power-on, the controller enters auto-pairing mode, press the pairing key of the remote **3 times within 1s** to complete the pairing.

Option 3. - Use a paired remote to add another new remote to work with the controller

*Please refer to the remote's user manual on how to use a paired remote to add a new remote to work with the controller.

*COMPATIBLE RF433 REMOTE (ORDER SEPARATELY)

1. Self-powered

*Please refer to the related RF remotes user manual on how to work.



HV9261



HV9262

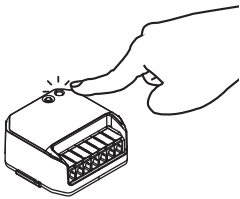


HV9263

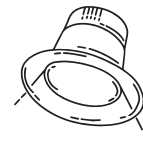
G. UNPAIRING - RF433 REMOTE

Option 1:

Press and hold the Prog. Key for **9s** until the indicator to **flash alternately between RED & GREEN** and release to enter RF remote unpairing mode(**30s**) - the light would flash **twice** and stay on.



Hold on Prog.Key over **9s**
Indicator: **RED & GREEN**
alternating flashing



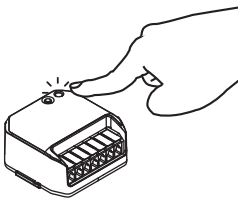
Light flashes **Twice**
and stay on

Option 2. - Use a paired remote to unpair another paired remote

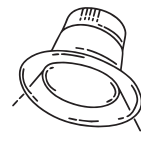
*Please refer to the remote's user manual on how to use a paired remote to unpair another paired remote.

G. FULL FACTORY RESET

Press and hold the Prog. Key for **15s** until the indicator flashes **YELLOW** to complete a full factory reset - the light would flash **5 times** and stay on.



Hold on Prog. key over **15s**
Indicator: **YELLOW** flashing



Light flashes **5 times**
and stay on

*Note: this will clear all RF Remote and APP pairings on this controller!

MUST BE INSTALLED BY A LICENSED ELECTRICIAN

Contact Details:

143 Beauchamp Road
Matraville NSW 2036
Australia

Tel: 02 9381 8300
Fax: 02 9666 8881
Email: sales@havit.com.au
Web: www.havit.com.au

Warranty Terms & Conditions*



www.havit.com.au

