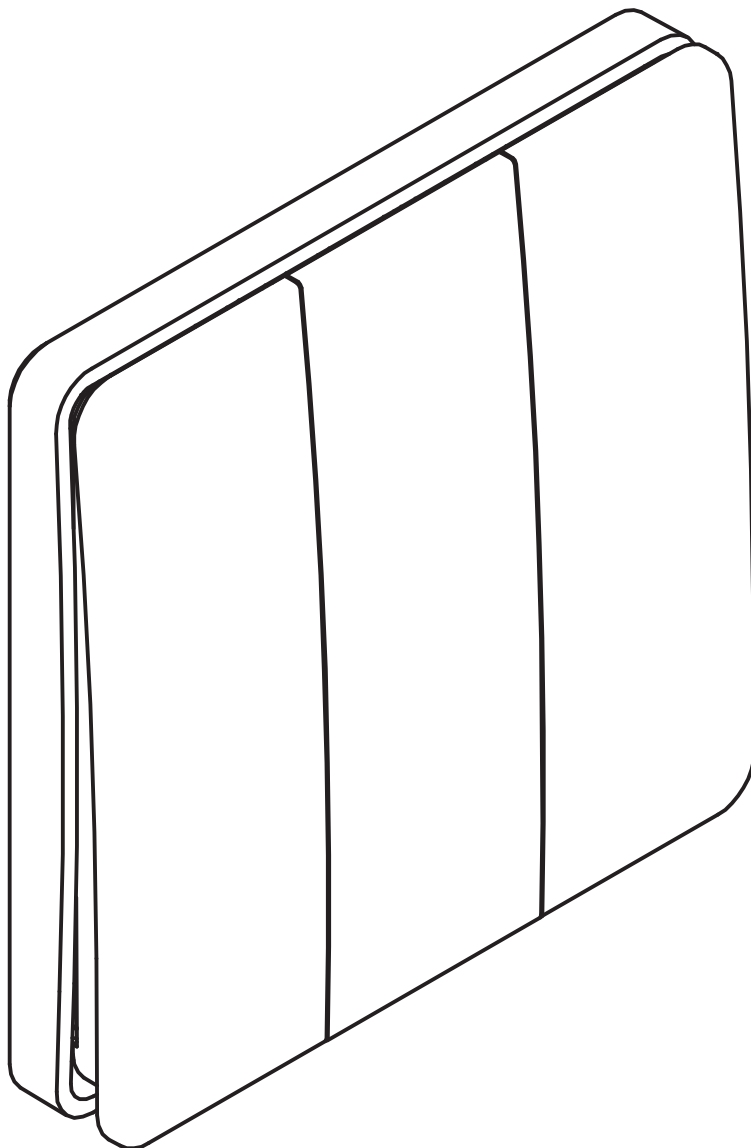
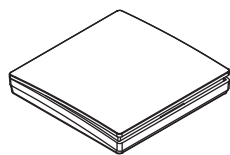




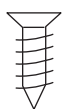
HV9261 - HV9262 - HV9263 Installation Instructions



A. WHAT IS IN THE BOX ?



x 1



x 2

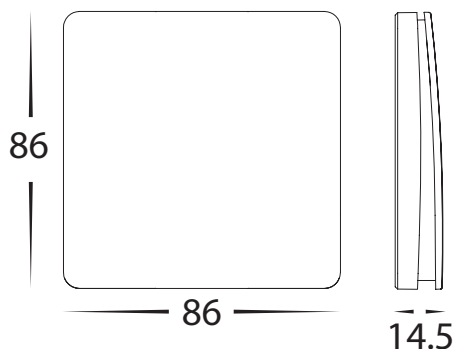


x 2



x 1

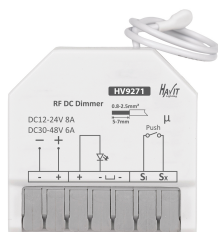
B. SPECIFICATIONS



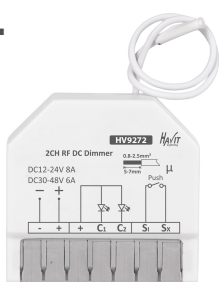
POWER SOURCE	Self Powered
RADIO FRENQUENCY	433 Mhz
SWITCHING TYPE	Push Switch
DIMMING TYPE	Press twice to enter dimming cycle.
IP RATING	IP65
BODY MATERIAL	Polycarbonate
TRANSMISSION RANGE	Outdoor 60m (no barrier) Indoor 25m (plaster board; drywall) Indoor 12m (concrete, glass walls) (Range may vary depending on surrounding situation)

C. COMPATIBLE CONTROLLERS (ORDER SEPERATELY.)

*Refer to the controller's instruction manual on how to pair the switch and controller.



HV9271



HV9272



HV9273

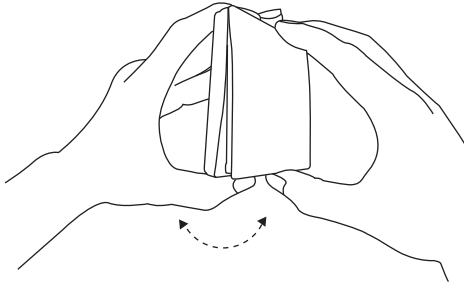


HV9274

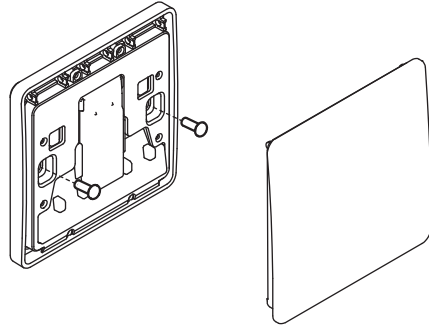
D. INSTALLATION

1. Screw Installation

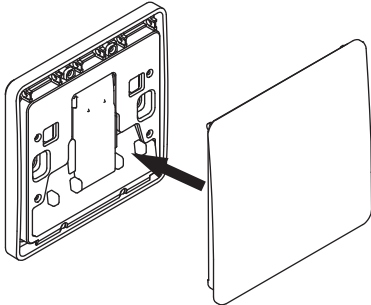
Ⓐ Remove front cover;



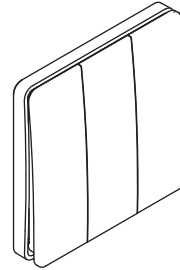
Ⓑ Fix to back box;



Ⓒ Reinstall front cover;



Ⓓ Installation Completed.

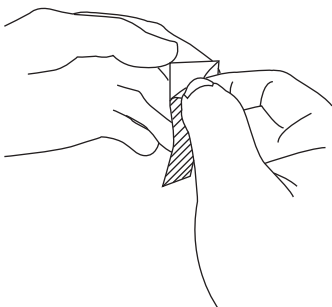


2. Surface Installation

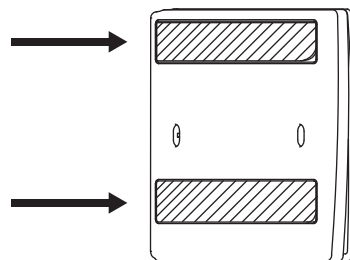


Install on or close to metal surface would decrease the transmission range significantly. Suggest to keep away from metal surface at least 1m to get the best performance.

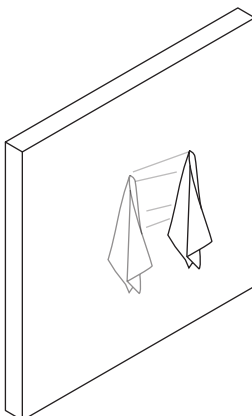
Ⓐ Remove sticker cover;



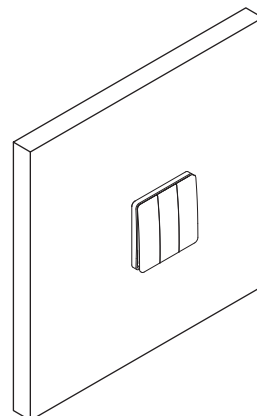
Ⓑ Apply to the switch;



Ⓒ Clean the surface



Ⓓ Attach the switch to surface.



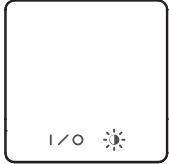
E. OPERATION

*The key function of the kinetic switch is based on the paired controller version.

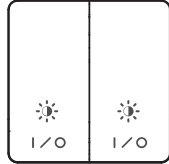


On/ OFF: Press Once

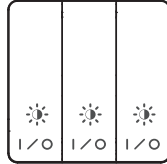
Dimming: Press twice to enter dimming cycle, another press to set brightness



1G



2G



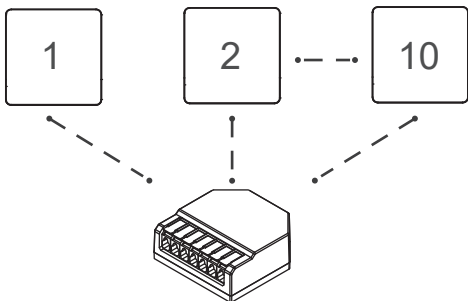
3G



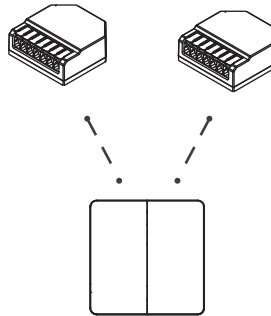
On/ Off: Press once

Dimming: Press the same key twice to enter dimming cycle, another press to set brightness.

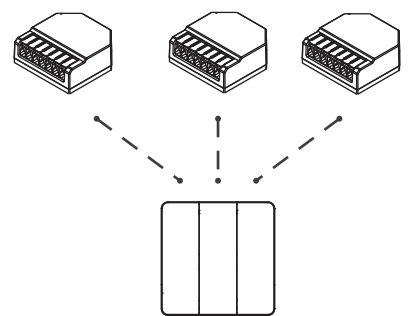
F. PAIRING LIMITATIONS



Max.10 Switches to pair
One Controller



2G



3G

Use One Switch to pair Two / Three Controllers
(*On/Off & Dimmer Controller Version)

*To avoid sync problem, we DO NOT suggest to pair multiple controller to one or multiple Kinetic Switches.

Contact Details:

143 Beauchamp Road
Matraville NSW 2036
Australia

Tel: 02 9381 8300
Fax: 02 9666 8881
Email: sales@havit.com.au
Web: www.havit.com.au

Warranty Terms & Conditions*



www.havit.com.au

