

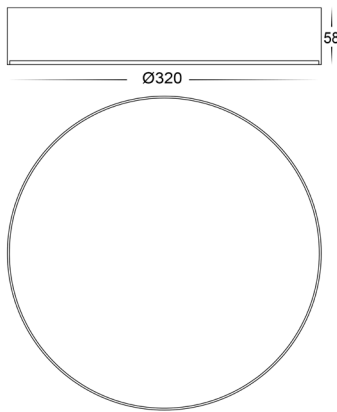
# Nella Oyster Installation Instructions



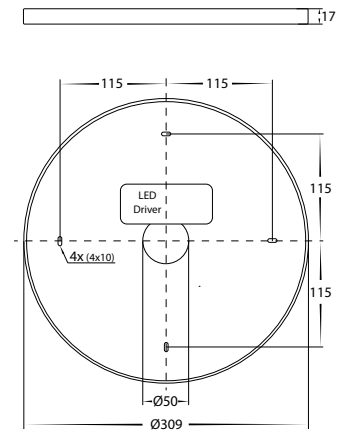
## Product Specifications

Model No.	HV5893T-BLK	HV5893T-WHT
Name	Nella	
Material	Aluminium	
Colour	Black	White
IP Rating	IP54	
Input Voltage	240v AC	
Lamp Base	Built in LED	
Lamp Wattage	1x 30w	
Colour Temp	TRI Colour - 3000k, 4000k, 5500k	
Lumens	2400lm, 2550lm, 2700lm	
CRI	> 80	
Wiring	Parallel	
Dimmable	Yes - Triac Dimmable	
Warranty	2 Years Replacement*	

### Dimensions



### Mounting Base Diagram



### Important Safety Issues:

- This product must be installed by a qualified electrician according to AS/NZS 3000.
- Ensure all electrical mains are disconnected before any installation.
- Modification of this product will void any warranty.
- Havit Lighting does not take responsibility for wrong installation, incorrect use, or use of installation material that does not belong to the system.
- When installing low voltage fittings, Voltage to fitting must be within +or- 5% of voltage required, if not within this allowance warranty will be voided.
- Aluminium and 304SS fittings must not be installed within 2km of any salt water environments.
- When installing copper fittings, gloves must be worn to avoid any oils transferring to fitting.
- All 316 & 304 stainless steel fittings must have regular cleaning maintenance to avoid any tea staining from forming on fitting.  
(Warranty does not cover Tea Staining)
- All o-rings and seals must be in place correctly to maintain warranty
- This form may be updated at any time due to product improvements, please check online installation form for most current version.

### Steps for Installation:

1. Make sure that the electrical circuit is free of voltage (master switch off)
2. Remove base plate by twisting base anti clock wise
3. Unplug fitting from driver and set fitting aside
4. Install base plate in desired location
5. Connect the cable: Use wire with earth, connect earth first then positive and then neutral
6. Reconnect plug to fitting.
7. Fitting is preset to 3000k, To change slide switch inside fitting to desired colour temperature
8. Reattach fitting to base plate by tightening allen screws making sure seals are still in place to avoid water penetration.
9. All connections must be carried out carefully, inspect all contacts before switching back on the electric circuit.

## Must be installed by a licensed electrician

### Contact Details:

143 Beauchamp Road Tel: 02 9381 8300  
 Matraville NSW 2036 Fax: 02 9666 8881  
 Australia Email: sales@havit.com.au  
 Web: www.havit.com.au

### Warranty Terms & Conditions\*



### Additional Information



HV5893T-BLK



HV5893T-WHT