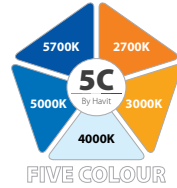
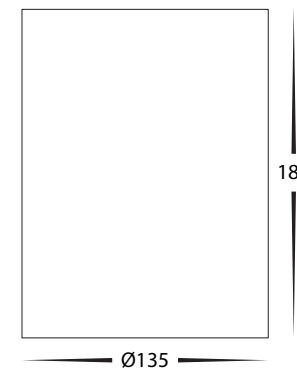


Nella Aluminium Surface Mounted Downlights

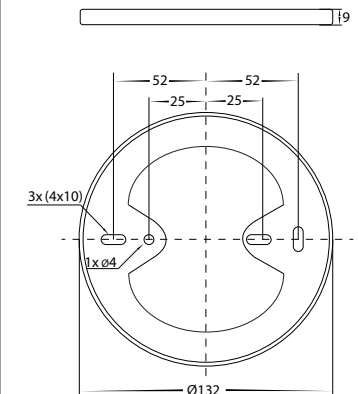
Name	Nella
Material	Aluminium
Colour	Black or White
IP Rating	IP54
IK Rating	IK08
Installation Type	Ceiling - Surface Mounted
Diffuser Type	Plastic
Lamp Base	Built in LED
Max Wattage	24w
Protection Class	240v = 1 (Requires Earth) 12v DC = 3 (No Earth Required)
Lamp Expectancy	<30,000hrs
CRI	CRI>90
Dimmable	Yes - Triac (240V Models Only)
Warranty	3 Years Replacement



Dimensions



Mounting Base



Product Ordering

Image	Part Number	Colour Temp	Lumens	Input Voltage	Beam Angle	Included LED	Barcode
	HV5844S-BLK	2700k 3000k 4000k 5000k 5700k	1554lm 1638m 1796lm 1893lm 1968lm	240V AC	60°	Five Colour 24w Built in LED	9350418028693
	HV5844S-BLK-12V			12V DC			9350418033079
	HV5844S-WHT			240V AC			9350418028709
	HV5844S-WHT-12V			12V DC			9350418033086



Warranty
Terms & Conditions

Website

White



Gold Insert



Black Insert



Chrome Insert



HV5844-WHT-PDT
3M Pendant Accessory



Black



Gold Insert



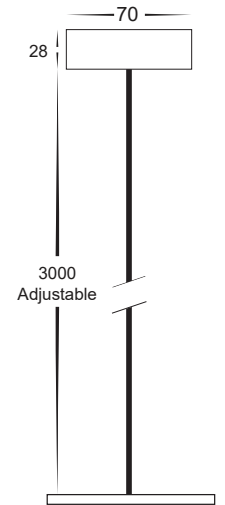
Chrome Insert



HV5844-BLK-PDT
3M Pendant Accessory



Pendant Line Drawing



Optional Compatible Havit Accessories

Image	Part Number	Description	Barcode
	HV5844-GR	Gold Insert	9350418028716
	HV5844-BR	Black Insert	9350418028723
	HV5844-CR	Chrome Insert	9350418028730
	HV9625	Triac Dimmer	9350418001795
	HV5844-BLK-PDT	3M Pendant Accessory	9350418035752
	HV5844-WHT-PDT	3M Pendant Accessory	9350418035769

Compatible Drivers for 12v DC Models

	12v DC LED Drivers	See Catalogue or Website for full range of 12v DC LED Drivers
--	---------------------------	---------------------------------------------------------------



Compatible Drivers



Warranty Terms & Conditions



Website