

# Nella Aluminium

## Surface Mounted Downlights



Name	Nella
Material	Aluminium
Colour	Black, White or Brass**
Colour Temp	2700K, 3000K, 4000K, 5000K, 5700K
IP Rating	IP54
IK Rating	IK08
Installation Type	Ceiling - Surface Mounted
Diffuser Type	Plastic
Lamp Base	Built in LED
Max Wattage	12w
Protection Class	240v = 1 (Requires Earth) 12v DC = 3 (No Earth Required)
Lamp Expectancy	<30,000hrs*
SDCM	<3
UGR	<10
CRI	CRI>90
Dimmable	Yes - Triac (240V Models Only)
Warranty	3 Years Replacement*

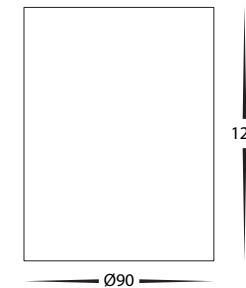
### Product Ordering

Image	Part Number	Colour Temp	Lumens	Input Voltage	Beam Angle	Included LED	Barcode
	HV5842S-BLK	2700k 3000k 4000k 5000k 5700k	688lm 840m 916lm 931lm 1004lm	240V AC	60°	Five Colour 12w Built in LED	9350418028570
	HV5842S-BLK-12V			12V DC			9350418033017
	HV5842S-BR			240V AC			9350418042989
	HV5842S-BR-12V			12V DC			9350418042996
	HV5842S-WHT			240V AC			9350418028587
	HV5842S-WHT-12V			12V DC			9350418033024

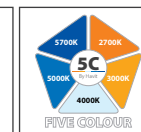
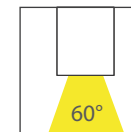
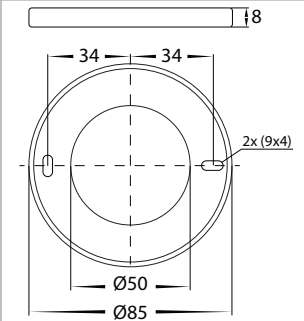
\*See Warranty Terms & Conditions for More Information

\*\*Brass Model can only be uses indoors

### Dimensions



### Mounting Base



Warranty  
Terms & Conditions

Website

### White



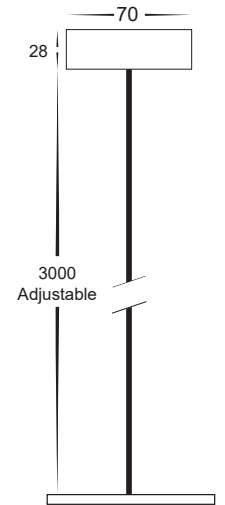
Shown with Gold Ring Attachment



### Black



### Pendant Line Drawing



### Optional Compatible Havit Accessories

Image	Part Number	Description	Barcode
	HV5842-GR	Gold Insert	9350418028617
	HV5842-BR	Black Insert	9350418028624
	HV5842-CR	Chrome Insert	9350418028631
	HV9625	Triac Dimmer	9350418001795
	HV5842-BLK-PDT	3M Pendant Accessory	9350418035714
	HV5842-WHT-PDT	3M Pendant Accessory	9350418035721
	HV58103-GR	Optional gold ring to suit	9350418037305



HV5842-BLK-PDT  
3M Pendant Accessory



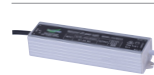
When PDT Accessory is used, Fitting becomes IP20



HV5842-WHT-PDT  
3M Pendant Accessory



### Compatible Drivers for 12v DC Models



12v DC  
LED Drivers

See Catalogue or Website for full range of  
12v DC LED Drivers



Compatible  
Drivers



Warranty  
Terms & Conditions



Website