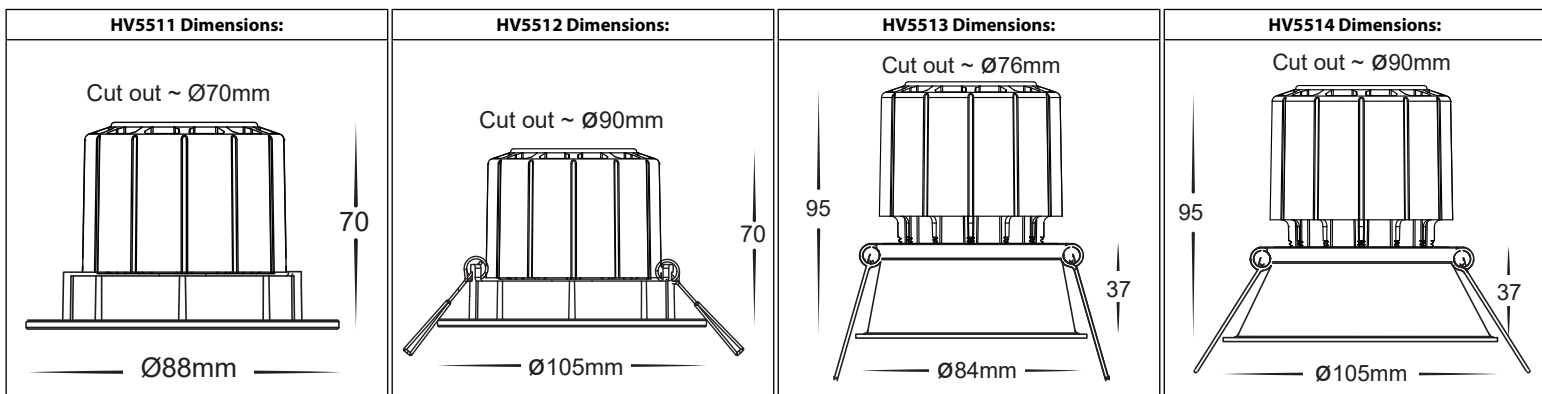


Prime Recessed LED Downlight Installation Instructions

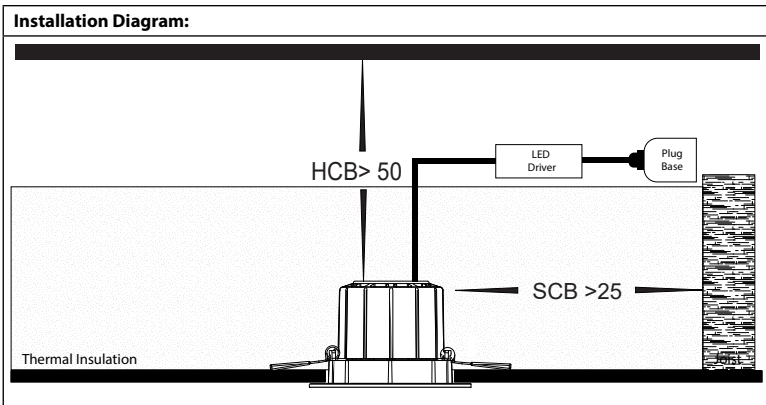


Product Specifications

Model No.	HV5511T-BLK	HV5511T-WHT	HV5512T-BLK	HV5512T-WHT	HV5513T-BLK	HV5513T-WHT	HV5514T-BLK	HV5514T-WHT
Name	Prime							
Material	Aluminium							
Colour	Black	White	Black	White	Black	White	Black	White
Cut Out	70mm		90mm		76mm		90mm	
IC Rating	IC-4							
IP Rating	IP54 - Front of fitting only							
Input Voltage	240v AC							
Protection Class	2 (No Earth Required) <input type="checkbox"/>							
Lamp Base	Built in LED							
Lamp Wattage	1x 12w							
Colour Temp	TRI Colour - 3000k, 4000k, 5500k							
Lumens	839lm, 913lm, 841lm							
CRI	> 90							
Dimmable	Yes - Triac Dimmable							
Warranty	3 Years Replacement*							



- Important Safety Issues:**
- This product must be installed by a qualified electrician according to AS/NZS 3000.
 - Ensure all electrical mains are disconnected before any installation.
 - Modification of this product will void any warranty.
 - Havit Lighting does not take responsibility for wrong installation, incorrect use, or use of installation material that does not belong to the system.
 - Aluminium and 304SS fittings must not be installed within 5km of any salt water environments.
 - Only LED Fitting can be installed under insulation, LED Driver must not be covered to allow for ventilation.
 - This fixture must not be installed with loose fill insulation such as macerated paper and wool. LED driver must be mounted above any insulation covering the fixture.
 - These instructions may be updated at any time due to product improvements. Please visit website for most current installation instructions.



- Steps for Installation:**
1. Make sure that the electrical circuit is free of voltage (master switch off)
 2. Cut out hole using dimensions in table and on line drawings above for model purchased making sure each hole is not under joist or pipes.
 3. Fitting is provided with flex and plug, Plug cable into plug base installed earlier.
 4. Fitting is preset to 3000k, to change slide switch on back of fitting to desired colour temperature.
 5. Before installing downlight, Make sure LED Driver is not covered by any insulation.
 6. Pull back springs on fitting and insert into hole.
 7. Once fitting is in hole, release clips, These springs will hold fitting in place.
 8. All connections must be carried out carefully, inspect all contacts before switching back on the electric circuit.

Must be installed by a licensed electrician

Contact Details:
 143 Beauchamp Road
 Matraville NSW 2036
 Australia
 Tel: 02 9381 8300
 Fax: 02 9666 8881
 Email: sales@havit.com.au
 Web: www.havit.com.au

Warranty Terms & Conditions*

Additional Information