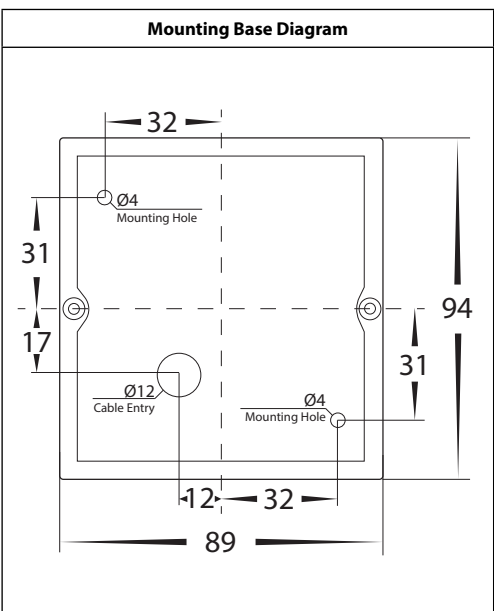
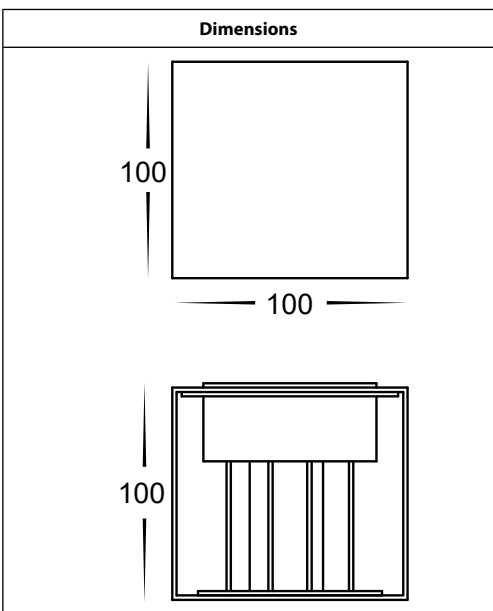


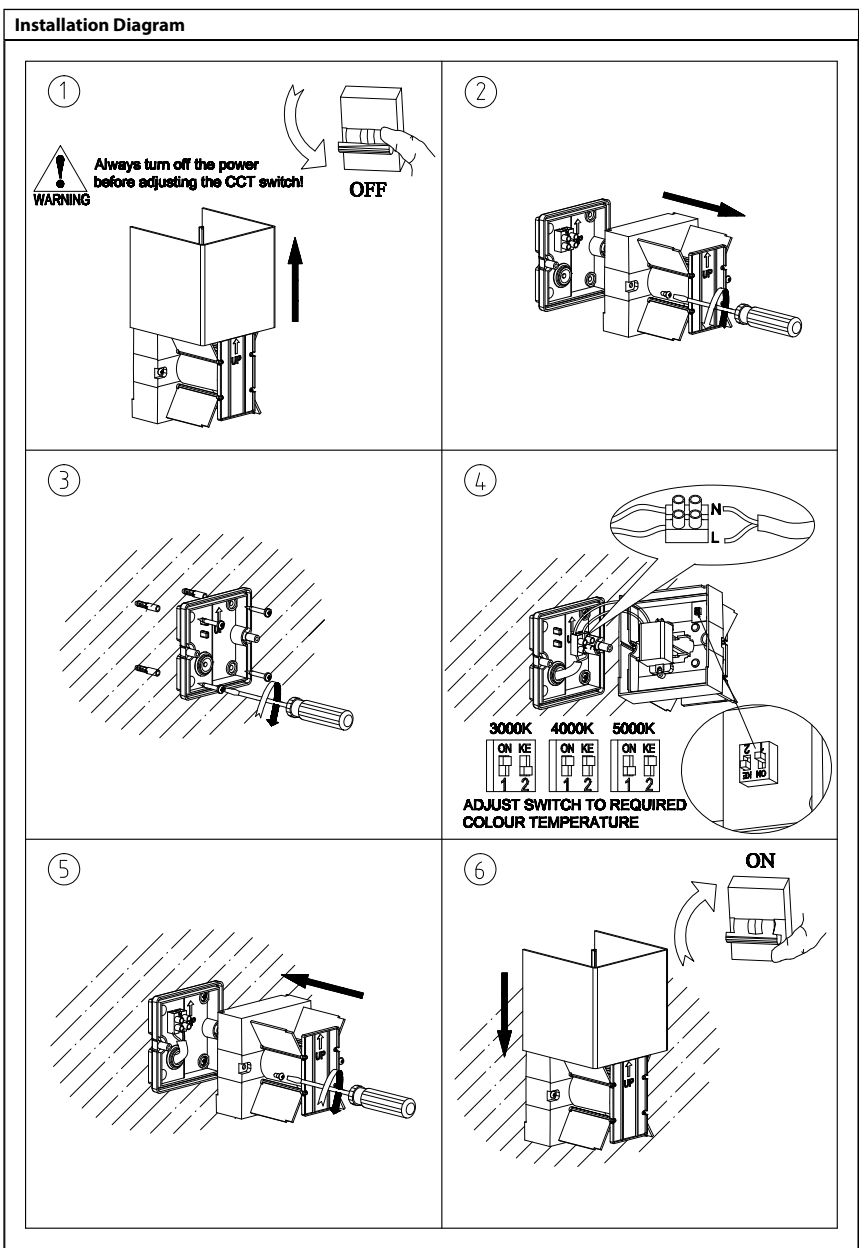
Celes Wall Light Installation Instructions



Product Specifications		
Model No.	HV3611T-BLK	HV3611T-WHT
Name	Celes	
Material	Polycarbonate	
Installation Type	Wall - Surface Mounted	
Colour	Black	White
IP Rating	IP65	
Protection Class	2 (No Earth Required) <input type="checkbox"/>	
Input Voltage	240v	
Lamp Base	Built in LED	
Lamp Wattage	2x 3w	
Colour Temp	TRI Colour - 3000k, 4000k, 5500k	
Lumens	2x 150lm, 2x 160lm, 2x 155lm	
CRI	> 80	
Wiring	Parallel	
Dimmable	No	
Warranty	3 Years Replacement*	



- Important Safety Issues:**
- This product must be installed by a qualified electrician according to AS/NZS 3000.
 - Ensure all electrical mains are disconnected before any installation.
 - Modification of this product will void any warranty.
 - Havit Lighting does not take responsibility for wrong installation, incorrect use, or use of installation material that does not belong to the system.
 - Aluminium and 304SS fittings must not be installed within 5km of any salt water environments.
 - All o-rings and seals must be in place correctly to maintain warranty
 - This form may be updated at any time due to product improvements, please check online installation form for most current version.
 - For full Warranty Terms and Conditions scan QR Code Below.



- Steps for Installation:**
- Make sure that the electrical circuit is free of voltage (master switch off)
 - Remove cover from fitting and set aside
 - Loosen screws from front of fitting and remove base plate.
 - Install base plate to wall in desired location using appropriate screws for application.
 - Seal all holes including cable entry and around screws
 - Connect the cable - Connect live and neutral wire.
 - Fitting is preset to 3000k, to change slide switch located inside base of fitting to desired colour temperature.
 - Reattach fitting to base plate making sure allen screws are tight to avoid any water penetration.
 - Apply silicon around edge of fitting to prevent any water from getting inside to electrical connections.
 - Slide cover onto baseplate
 - All connections must be carried out carefully, inspect all contacts before switching back on the electric circuit.
 - With Light switched on adjust beam angle by moving adjustable parts located on top and bottom of fitting.

Must be installed by a licensed electrician

Contact Details:
143 Beauchamp Road
Matraville NSW 2036
Australia
Tel: 02 9381 8300
Fax: 02 9666 8881
Email: sales@havit.com.au
Web: www.havit.com.au

Warranty Terms & Conditions*

www.havit.com.au