

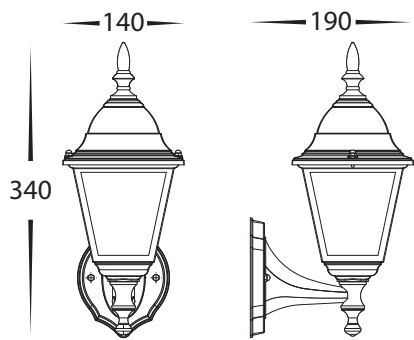
# Coach Wall Light Installation Instructions



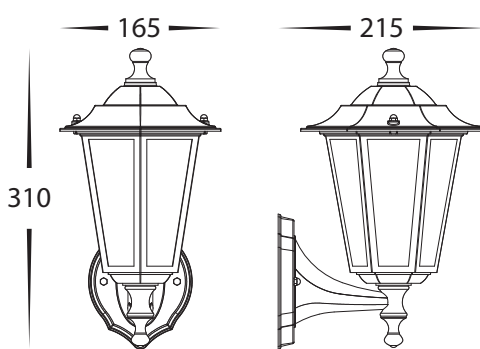
## Product Specifications

Model No.	HV3551W-BLK	HV3552W-BLK	HV3554W-BLK
Name	Newark	Fibra	Hove
Material	Aluminium Body + Glass Cover	Aluminium Body + Glass Cover	Aluminium Body + Glass Cover
Colour	Black	Black	Black
IP Rating	IP44	IP44	IP44
Installation Type	Wall - Surface Mounted	Wall - Surface Mounted	Wall - Surface Mounted
Protection Class	1 (240v Requires Earth) ⚡	1 (240v Requires Earth) ⚡	1 (240v Requires Earth) ⚡
Input Voltage	240v AC	240v AC	240v AC
Lamp Base	E27	E27	E27
Lamp Wattage	1x 8w	1x 8w	1x 8w
Colour Temp	2700k	2700k	2700k
Lumens	700lm	700lm	700lm
CRI	> 80	> 80	> 80
Dimmable	Yes - Triac	Yes - Triac	Yes - Triac
Warranty	3 Years Replacement*	3 Years Replacement*	3 Years Replacement*

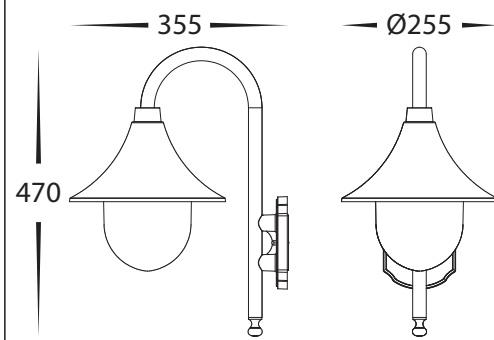
### HV3551W-BLK Dimensions



### HV3552W-BLK Dimensions



### HV3554W-BLK Dimensions



### Important Safety Issues:

- This product must be installed by a qualified electrician according to AS/NZS 3000.
- Ensure all electrical mains are disconnected before any installation.
- Modification of this product will void any warranty.
- Havit Lighting does not take responsibility for wrong installation, incorrect use, or use of installation material that does not belong to the system.
- Aluminium and 304SS fittings must not be installed within 5km of any salt water environments.
- All o-rings and seals must be in place correctly to maintain warranty
- This form may be updated at any time due to product improvements, please check online installation form for most current version.

### Steps for Installation:

1. Make sure that the electrical circuit is free of voltage (master switch off)
2. Remove screws from front of fitting base and set aside.
3. Remove base plate from fitting.
4. Slide cable through cable gland and place base plate against wall
5. Attach base plate to wall using appropriate screws for application.
6. Seal all holes using silicon including cable entry and around screws.
7. Connect the cable - use wire with earth; connect the earth first, then live and neutral wire.
8. Reattach fitting to base plate making sure seals are still in place
9. Reattach nuts onto threads on front of fitting and tighten making sure these are tight enough to avoid any water penetration.
10. Apply silicon around edge of base to prevent any water from getting inside to electrical connections.
11. All connections must be carried out carefully, inspect all contacts before switching back on the electric circuit.

### Steps for Changing globe:

1. Make sure that the electrical circuit is free of voltage (master switch off).
2. Remove cover from fitting by removing screws on top of fitting and set aside, For HV3554W-BLK twist cover anti clockwise
3. Remove globe by twisting anti clockwise
4. Re-insert the appropriate globe by twisting clockwise into the lamp holder (Make sure not to exceed max wattage, see product label for correct info)
5. Reattach cover by reattaching nuts and tightening making sure the seals are still in place and cover is tight to avoid any water penetration. For HV3554W-BLK realign cover and twist clockwise until locked into place.

## Must be installed by a licensed electrician

### Contact Details:

143 Beauchamp Road  
Matraville NSW 2036  
Australia

Tel: 02 9381 8300  
Fax: 02 9666 8881  
Email: sales@havit.com.au  
Web: www.havit.com.au

### Warranty Terms & Conditions\*



www.havit.com.au

