

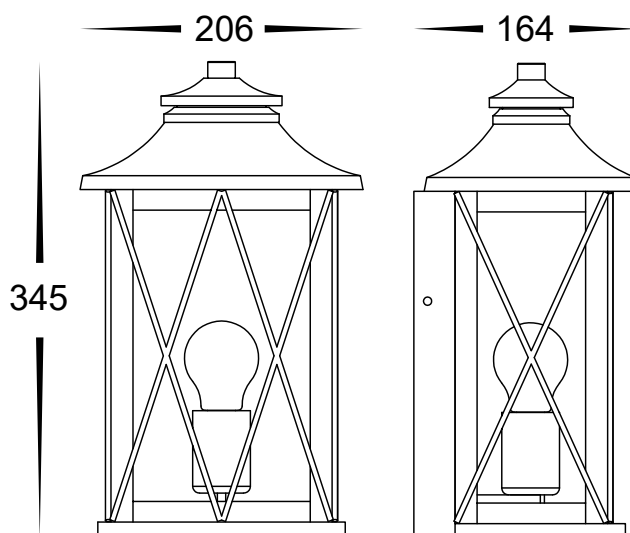
# Odin Wall Light Installation Instructions



## Product Specifications

Model No.	HV3532W-S-BLK
Name	Odin
Material	Galvanised Iron
Colour	Black
IP Rating	IP44
Installation Type	Wall - Surface Mounted
Protection Class	1 (240v Requires Earth) ⚡
Input Voltage	240v AC
Lamp Base	E27
Lamp Wattage	1x 8w
Colour Temp	2700k
Lumens	700lm
CRI	> 80
Wiring	Parallel
Dimmable	Yes - Triac Dimmable
Warranty	3 Years Replacement*

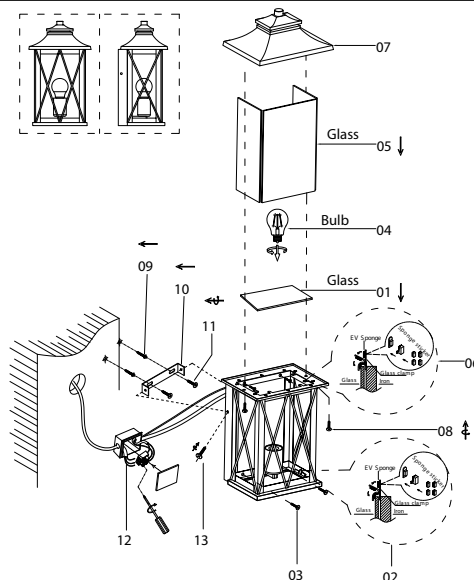
## Dimensions



## Important Safety Issues:

- This product must be installed by a qualified electrician according to AS/NZS 3000.
- Ensure all electrical mains are disconnected before any installation.
- Modification of this product will void any warranty.
- Havit Lighting does not take responsibility for wrong installation, incorrect use, or use of installation material that does not belong to the system.
- All 316 stainless steel fittings must have regular cleaning maintenance to avoid any tea staining from forming on fitting. (Warranty does not cover Tea Staining).
- All o-rings and seals must be in place correctly to maintain warranty
- Rubber Pads must be used to avoid any damage to glass.
- Care must be taken when installing glass to avoid any breakages
- This form may be updated at any time due to product improvements, please check online installation form for most current version.

## Assembly Instructions



## Steps for Installation:

1. Make sure that the electrical circuit is free of voltage (master switch off)
2. Apply Rubber pads to all Tabs on fitting before installing any glass
3. Remove top of fitting by removing nuts on side and set nuts aside.
4. Remove back plate from fitting by removing 4x Nuts from back of fitting
5. Insert glass into fitting and bend tabs with rubber attached around glass to hold into place.
6. Insert Globe into fitting by inserting into lamp holder and twist clockwise
7. Reattach front of fitting to backplate and tighten nuts to screws
8. Remove bracket from fitting by removing screws on side of fitting and set aside.
9. Install bracket to wall in desired location using appropriate screws for application.
10. Undo screws on junction box at back of fitting and set aside cover
11. Connect the cable - use wire with earth; connect the earth first, then live and neutral wire.
12. Reattach cover to junction box making sure seals are still in place and tighten screws
13. Attach fitting to bracket and tighten screws making sure they are tight.
14. Apply silicon around edge of fitting to prevent any water from getting inside to electrical connections.
15. All connections must be carried out carefully, inspect all contacts before switching back on the electric circuit.

## Steps for changing globe:

1. Make sure that the electrical circuit is free of voltage (master switch off)
2. Reach into fitting from bottom
3. Remove globe by twisting anti clockwise.
4. Re-insert the appropriate globe by inserting globe into lamp holder and twist clockwise - (Make sure not to exceed max wattage, see product label for correct info).

**Must be installed by a licensed electrician**

## Contact Details:

143 Beauchamp Road  
Matraville NSW 2036  
Australia

Tel: 02 9381 8300  
Fax: 02 9666 8881  
Email: sales@havit.com.au  
Web: www.havit.com.au

## Warranty Terms & Conditions\*



[www.havit.com.au](http://www.havit.com.au)

