

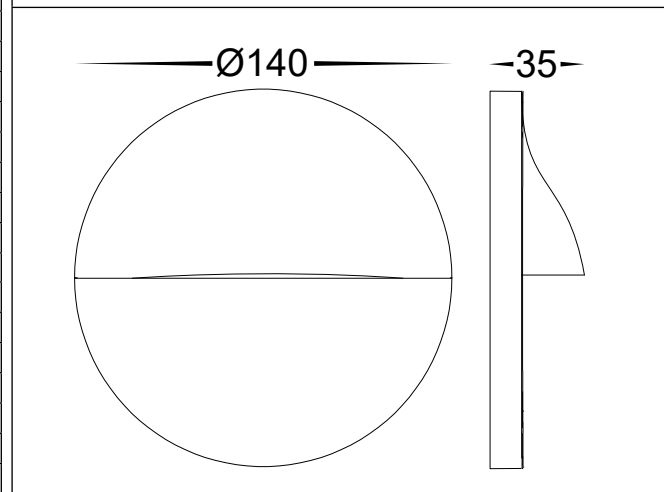
Lisca Round Wall Light Installation Instructions



Product Specifications

Model No.	HV3227T-BLK-12V	HV3227T-WHT-12V	HV3227T-BLK-240V	HV3227T-WHT-240V
Name	Lisca			
Material	Aluminium Cover with Plastic Mounting Base			
Colour	Black	White	Black	White
Installation Type	Wall - Surface Mounted			
IP Rating	IP65			
Input Voltage	12v DC		240V	
Protection Class	3 - Low Voltage, No Earth Required <input checked="" type="checkbox"/>		2 - No Earth Required <input type="checkbox"/>	
Lamp Base	Built in LED			
Lamp Wattage	1x 3w			
Colour Temp	TRI Colour - 3000k, 4000k, 5500k			
Lumens	150lm, 160lm, 155lm			
CRI	> 80			
Wiring	Parallel			
Dimmable	No			
Warranty	3 Years Replacement*			

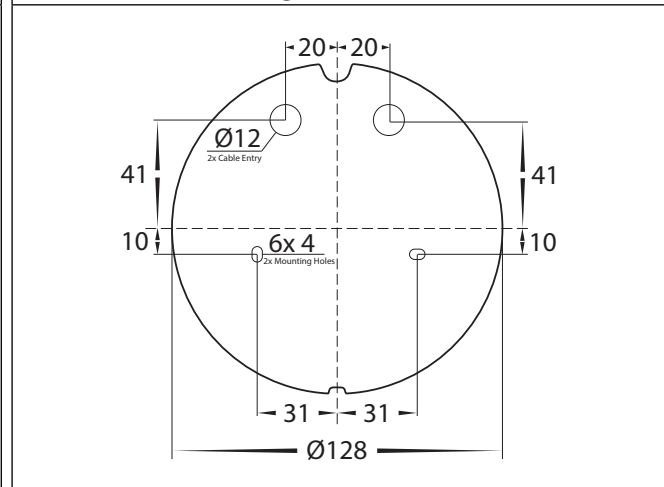
Dimensions



Important Safety Issues:

- This product must be installed by a qualified electrician according to AS/NZS 3000.
- Ensure all electrical mains are disconnected before any installation.
- Modification of this product will void any warranty.
- Havit Lighting does not take responsibility for wrong installation, incorrect use, or use of installation material that does not belong to the system.
- When installing low voltage fittings, Voltage to fitting must be within +or- 5% of voltage required and cannot be installed more than 25m from LED Driver, if not within this allowance warranty will be voided.
- Aluminium and 304SS fittings must not be installed within 5km of any salt water environments.
- All o-rings and seals must be in place correctly to maintain warranty.
- These instructions may be updated at any time due to product improvements, Please visit website for most current installation instructions.

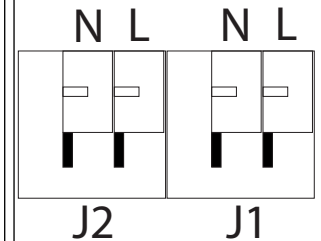
Mounting Base Dimensions



Steps for 12v DC Models Installation:

1. Make sure that the electrical circuit is free of voltage (master switch off)
2. Remove face from base plate by loosening Allen Screw from Bottom of fitting and remove cover and set aside.
3. Remove screws and clear cover from front of fitting as set aside.
4. Insert cable through cable entry and Install base plate in desired location, Seal all holes in the backing plate including cable entry and screw holes.
5. Using an appropriate 12v DC LED Driver - DO NOT CONNECT LIGHT FITTING DIRECTLY TO 240V
6. Connect the cable (See Diagram for L and N connection points - If more than one fitting installed, wiring must be done in parallel.
7. Fitting is preset to 3000k, To change move switch above PCB to desired colour temperature
8. Reattach clear cover making sure screws are tight to avoid water penetration.
9. Apply silicon around edge of fitting to prevent any water from getting inside to electrical connections.
10. Reattach face onto fitting an tighten Allen Screw.
11. All connections must be carried out carefully, inspect all contacts before switching back on the electric circuit.

Wiring Diagram



Steps for 240v Models Installation:

1. Make sure that the electrical circuit is free of voltage (master switch off)
2. Remove face from base plate by loosening Allen Screw from Bottom of fitting and remove cover and set aside.
3. Remove screws and clear cover from front of fitting as set aside.
4. Insert cable through cable entry and Install base plate in desired location, Seal all holes in the backing plate including cable entry and screw holes.
5. Connect the cables - Live First then Neutral, If cable has an Earth, Terminate and leave disconnected inside fitting.
6. Fitting is preset to 3000k, To change move switch above PCB to desired colour temperature
7. Reattach clear cover making sure screws are tight to avoid water penetration.
8. Apply silicon around edge of fitting to prevent any water from getting inside to electrical connections.
9. Reattach face onto fitting an tighten Allen Screw.
10. All connections must be carried out carefully, inspect all contacts before switching back on the electric circuit.

Must be installed by a licensed electrician

Contact Details:

143 Beauchamp Road
Matraville NSW 2036
Australia
Tel: 02 9381 8300
Fax: 02 9666 8881
Email: sales@havit.com.au
Web: www.havit.com.au

Warranty Terms & Conditions*



www.havit.com.au

