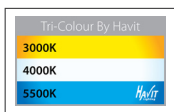
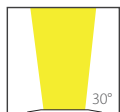
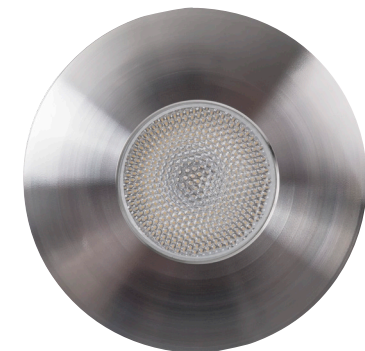


# Tekk Deck Light

Name	Tekk
Material	316SS Face + Aluminium Body
Colour	Stainless Steel
IP Rating	IP67
Colour Temp	3000K, 4000K, 5500K (Tri Colour)
IK Rating	IK08
Cable Length	1500mm
Installation Type	Recessed - Deck (Not suitable for Inground Use)
Cut Out	Ø50mm
Diffuser Type	Frosted PC
Lamp Base	Built in LED
Protection Class	3 (No Earth Required)
Max Wattage	3w
Lamp Expectancy	<30,000hrs*
CRI	>80
SDCM	<6
UGR	<20
Dimmable	Yes - Triac Dimmable
Warranty	3 Years Replacement*



Warranty  
Terms & Conditions

Website

## Product Ordering

Image	Part Number	Colour Temp	Lumens	Input Voltage	Beam Angle	Included LED	Barcode
	<b>HV2860T-SS316</b>	3000K 4000K 5500K	160lm 170lm 180lm	12v DC	30°	<b>Tri Colour</b> Built in 3w LED	9350418033154

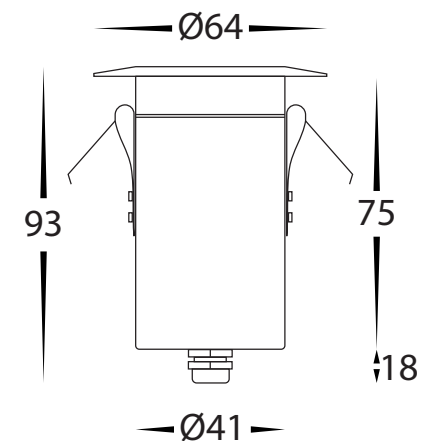
\*See Warranty Terms & Conditions for more information



Havit Lighting 143 Beauchamp Road, Matraville, N.S.W. 2036 | Phone: 02 9381 8300 | Fax: 02 9381 6661 | Email: sales@havit.com.au | Web: www.havit.com.au

## Dimensions

Cut Out = 50mm



## Optional Havit Compatible Accessories

Image	Part Number	Description
<b>LED Drivers</b>		
	<a href="#">12v DC LED Drivers</a>	See Catalogue or Website for full range of 12v DC LED Drivers
	<a href="#">12v DC Triac Dimmable LED Drivers</a>	See Catalogue or Website for full range of 12v DC Triac Dimmable LED Drivers
<b>Maintenance Kit</b>		
	<a href="#">HV9971</a>	Stainless Steel Maintenance Kit
<b>Weatherproof Connectors</b>		
	<a href="#">HV9911</a>	Small IP67 Weatherproof Connector
	<a href="#">HV9912</a>	Medium IP67 Weatherproof Connector
	<a href="#">HV9913</a>	Large IP67 Weatherproof Connector