


OUTDOOR UP & DOWN WALL LIGHT

HCP-212121 + HCP-213121

Aluminium Black or White Up & Down Wall Light



PRODUCT TYPE	Outdoor Up & Down Wall Light
DIMENSIONS	160 (H) x 70 (W) x 84.5 (D)
INSTALLATION TYPE	Wall - Surface Mounted
INPUT VOLTAGE	240V AC · 50Hz
PROTECTION CLASS	1 - Earth Required
LED	2x 6w · Built-in
COLOUR TEMP.	TRI Colour · 3000K / 4000K / 5000K
IP RATING	IP65
IK RATING	IK08
BODY	Powder-Coated Aluminium
DIMMABLE	Yes - Triac
APPROVALS	
WARRANTY	5 Years Replacement

⚠ IMPORTANT — READ BEFORE INSTALLATION

This is a 240V mains-voltage fitting. In Australia and New Zealand, fixed mains wiring must be carried out by a licensed electrician in accordance with AS/NZS 3000 (Wiring Rules). Do not attempt to wire or connect this product yourself.

1 Important Safety Issues

- Installation must be carried out by a licensed electrician in accordance with AS/NZS 3000 wiring rules.
- Ensure mains power is disconnected before installation.
- Do not modify the fitting in any way, as this will void warranty.
- Ensure all seals, gaskets, and cable entries are correctly installed to maintain IP rating.
- Aluminium fittings should not be installed within 5km of saltwater environments.
- Failure to correctly seal the fitting may allow water ingress and void warranty.
- Before drilling, cutting, or installing, ensure there are no concealed electrical cables, water pipes, or gas lines behind the mounting surface.
- Do not install the fitting on surfaces subject to excessive vibration or movement.
- The fitting must not be covered with insulation material or combustible materials.
- Do not install near heat sources, gas appliances, or areas with excessive ambient temperatures.
- Ensure the mains supply voltage matches the product rating of 240V AC.
- Disconnect power immediately if the fitting becomes damaged, cracked, or exposed to moisture internally.
- Do not attempt to replace the built-in LED module, as it is non-serviceable.
- This product contains electronic components that must not be disposed of with general household waste.
- Maintain all IP65 seals and gaskets during installation to prevent water ingress.
- Suitable for wall mounting only. Do not install in-ground, underwater, or fully submerged applications.
- Avoid direct high-pressure water exposure from pressure washers or irrigation systems.
- Ensure drainage is maintained and the fitting is not installed in locations where water can pool around cable entries.
- Do not energise the fitting while partially assembled.
- Keep packaging materials away from children during installation.
- Allow fitting to cool before handling if recently operated.
- Isolate power before cleaning, maintenance, or inspection.
- Failure to follow installation instructions may result in electric shock, fire hazard, product failure, or voided warranty.
- Visit www.havit.com.au for full Warranty Terms & Conditions.

2 Technical Specifications

PART NUMBERS	COLOUR TEMP.	LUMEN OUTPUT	INCLUDED LED	INPUT
HCP-212121 HCP-213121	3000K	2x 480lm	2x 6W · Built-in LED	240V AC
	4000K	2x 535lm		
	5000K	2x 520lm		

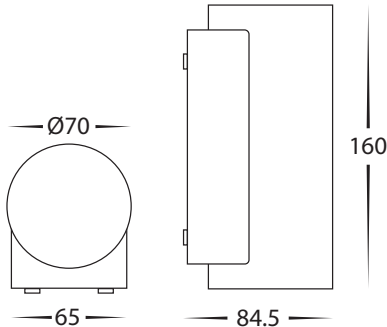
CONSTRUCTION

Body material	Aluminium
Finish	Powder-coated Black or White
Fixings	Stainless grub screw
Backing plate	Supplied

RATINGS

Ingress protection	IP65
Total Power	2x 6W
Beam Direction	40°
Suitability	Outdoor

3 Product Dimensions



Overall Height	160mm
Body Diameter	Ø70mm
Mounting Plate	114mm (H) x 60mm (W)
Mounting Hole Spacing	96mm (vertical)
Cable Entry	2x Ø20mm
Mounting Holes	2x Ø4mm

**All dimensions are nominal and in millimetres.
Verify against the physical product before drilling.**

4 Safety Warnings

! IMPORTANT — READ BEFORE INSTALLATION

This is a 240V mains-voltage fitting. In Australia and New Zealand, fixed mains wiring must be carried out by a licensed electrician in accordance with AS/NZS 3000 (Wiring Rules). Do not attempt to wire or connect this product yourself.

Isolate mains power and lock-off / tag the circuit before wiring.

Confirm the supply matches the rating: 240V AC, 50Hz.

Do not connect a damaged fitting. Inspect the body, lens and gasket before install.

The integrated LED is not user-replaceable; do not open the sealed LED module.

Maintain the IP65 seal — fit the supplied gasket and seal the cable entry correctly.

Make sure to seal around backing plate with exterior grade silicone

5 In the Box

SUPPLIED

1 × HCP-212121 or HCP-213121 Light Fitting

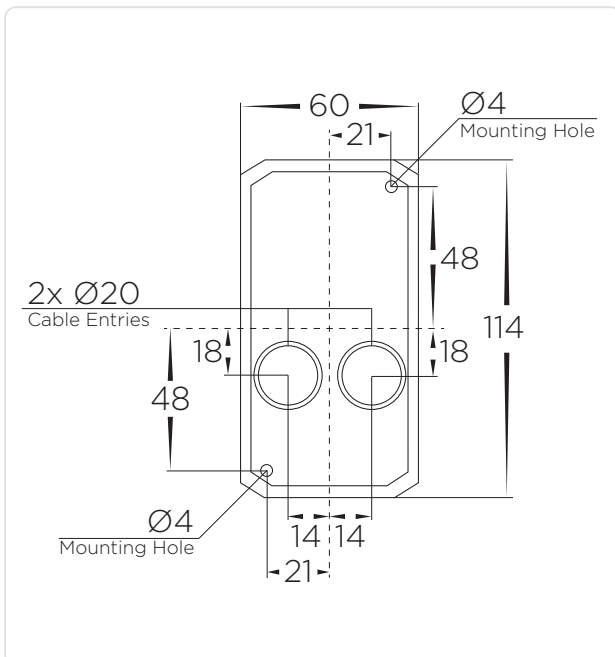
Sealing gaskets - Attached to Backing Plate

1 × Matching backing plate - Attached to Fitting

2x Wall plugs

1x Allen Key Screwdriver

6 Mounting Template



The mounting bracket has two Ø4mm fixing holes set diagonally and 2x Ø20mm cable entries. Mark the wall using the plate itself, or transfer the dimensions shown:

Bracket Dimensions	114mm (H) x 60mm (W)
Mounting holes	2 × Ø4mm
Hole offset from centre	21mm horizontal
Hole offset from centre	48mm vertical
Cable entry diameter	2x Ø20 mm

NOTE

Diagram is not to scale when printed. Always verify dimensions against the physical backing plate before drilling.

7 Installation Procedure

TRI-COLOUR SELECTOR



SET COLOUR TEMPERATURE FIRST

Use the TRI-colour selector switch on the fitting to choose 3000K, 4000K or 5000K **BEFORE** mounting. Match all fittings on the same façade for a consistent look.

1 Isolate the Power

Switch off the circuit at the switchboard, lock-off / tag it, and confirm the wiring is de-energised with a voltage tester.

2 Remove Backing Plate

Remove the mounting bracket. Loosen the allen screw and separate the mounting bracket from the fitting body.

3 Mark & Prepare Surface

Use the mounting bracket (or template) to mark the fixing holes and cable entry. Drill and insert wall plugs..

4 Feed the Supply Cable

Route the mains cable through the cable entry / gland. Fit the gasket to maintain the IP65 seal against the wall.

5 Secure the backing plate

Fix the plate flush and level. Apply exterior silicone around side edges, and to all fixing points and the cable entry, for outdoor installs.

6 Connect the wiring

Electrician connects Active, Neutral & Earth to the matching terminals (see below) and confirm connection are properly inserted into terminal block

7 Select Colour Temperature

Set the TRI-colour switch to your chosen CCT located inside fitting by sliding switch.

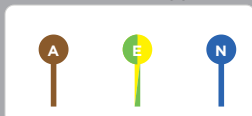
8 Mount the body

Tuck excess cable behind the fitting, locate the body onto the plate and secure by tightening allen screw.

9 Restore power & test

Re-energise and confirm both up and down LEDs illuminate. Check the fitting is secure and sealed.

TERMINAL BLOCK



WIRING CONNECTIONS

Connect supply to matching terminals. Conductor colours per AS/NZS 3000:

■ Active – Brown ■ Earth – Green/Yellow ■ Neutral – Blue

8 Maintenance & Care

Always isolate power before cleaning or inspecting the fitting.

Wipe the body and lens with a soft, damp cloth — avoid solvents and abrasives that may damage the powder-coat finish.

Periodically check the gasket is intact and the fitting remains sealed, especially in exposed locations.

Inspect allen screw is still secure and the body has not loosened over time.

Always isolate power before cleaning or inspecting the fitting.

9 Troubleshooting

SYMPTOM	POSSIBLE CAUSE	ACTION
Light does not turn on	Circuit not energised / wiring loose	Confirm power is on and have the electrician check terminal connections.
Only one direction working	Internal connection / faulty module	Isolate power, re-seat the body; if it persists, lodge a warranty claim.
Flickering	Loose connection or supply issue	Electrician to check connections and supply stability.
Wrong colour temperature	TRI-colour switch position	Isolate, remove body and reset the CCT selector switch.
Moisture inside lens	Compromised IP65 seal	Check gasket seating and cable gland sealing; re-seal as needed.

10 Warranty

5 YEARS
REPLACEMENT WARRANTY

IP65
INGRESS PROTECTION

240V
MAINS INPUT

This product carries a 5-Year replacement warranty from Havit Commercial. Warranty applies to the original purchaser and is subject to correct installation by a licensed electrician and normal use in accordance with these instructions. Full warranty terms & conditions and product registration are available at havitcommercial.com.au. Retain your proof of purchase and Electricians receipt .

REGISTER YOUR PRODUCT

Register your purchase and access data sheets, IES files and the latest installation documents at <https://havitcommercial.com.au/pages/product-warranty-registration>.



8/133 Beauchamp Road
Matraville, NSW 2036
Phone: +61 (02) 9381 8383
Email: Sales@havitcommercial.com.au
Web: havitcommercial.com.au



Warranty Terms & Conditions www.havitcommercial.com.au