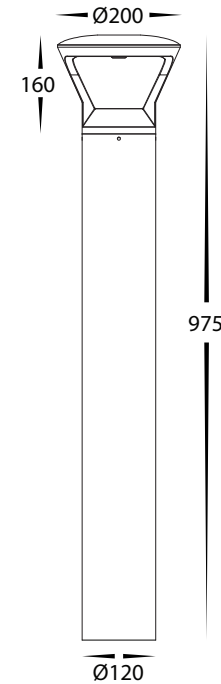


# Thema Aluminium Black LED Bollard Light

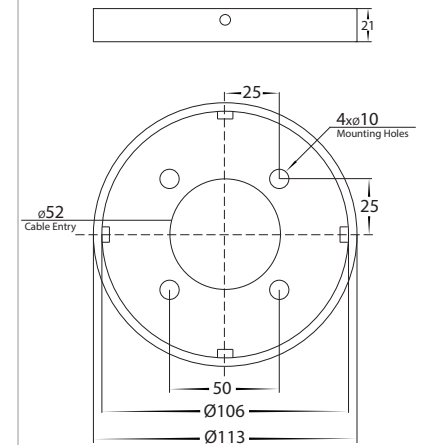
<b>Name</b>	Thema
<b>Material</b>	Aluminium
<b>Colour</b>	Poly Powder Coated Black
<b>IP Rating</b>	IP65
<b>Input Voltage</b>	Available in Either 240v or 24v DC
<b>Colour Temp</b>	Tri Colour - 3000k, 4000k, 5500k
<b>IK Rating</b>	IK08
<b>Installation Type</b>	Ground - Surface Mounted
<b>Diffuser Type</b>	UV Stabilised Perspex
<b>Lamp Base</b>	Built in LED
<b>Max Wattage</b>	18w
<b>Protection Class</b>	240v = 1 (Earth Required)
	24v DC = 3 (No Earth Required)
<b>Lamp Expectancy</b>	<30,000hrs*
<b>CRI</b>	CRI>80
<b>SDCM</b>	<6
<b>UGR</b>	<12
<b>Dimmable</b>	No
<b>Warranty</b>	3 Years Replacement*



## Dimensions



## Mounting Base Dimensions



## Optional Compatible Havit Accessories

Image	Part Number	Description	Barcode
<b>24v DC LED Drivers</b>			
	<a href="#">24v DC LED Drivers</a>	For Full range of 24v DC LED Drivers View website or Catalogue	
<b>Optional Accessories</b>			
	<a href="#">HV162X-CI</a>	Anchor Bolts	9350418043085

## Product Ordering

Image	Part Number	Colour Temp	Lumens	Input Voltage	Beam Angle	Included LED	Barcode
	<b>HV1643T-BLK-240V</b>	3000K	760lm	240V	120°	Tri Colour 18w Built in LED	9350418042705
		4000K	855lm				
		5500K	835lm				
	<b>HV1643T-BLK-24V</b>			24V DC	9350418042712		

\*See Warranty Terms & Conditions for More Information



Havit Lighting 143 Beauchamp Road, Matraville, N.S.W. 2036 | Phone: 02 9381 8300 | Fax: 02 9381 6661 | Email: sales@havit.com.au | Web: www.havit.com.au