
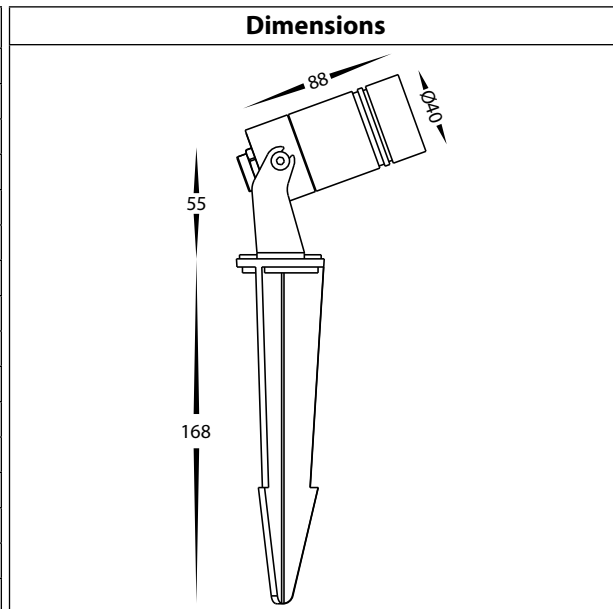


Product Specifications	
Model No.	HV1442T-BLK
Name	Lille
Material	Aluminium
Colour	Black
Installation Type	Ground - Spike
IP Rating	IP65
Input Voltage	12v DC or 24v DC
Protection Class	3 - Low Voltage, No Earth Required 
Lamp Base	Built in LED
Lamp Wattage	1x 2.5w
Colour Temp	3000k, 4000k, 5500k
Lumens	130lm, 150lm, 140lm
CRI	> 80
Wiring	Parallel
Dimmable	Yes - When used with 12v DC Only
Warranty	3 Years Replacement*



Important Safety Issues:

- This product must be installed by a qualified electrician according to AS/NZS 3000.
- Ensure all electrical mains are disconnected before any installation.
Modification of this product will void any warranty.
- Havit Lighting does not take responsibility for wrong installation, incorrect use, or use of installation material that does not belong to the system.
- All electrical connections must be watertight, if a watertight connection is not done, Warranty will be voided.
- When installing low voltage fittings, Voltage to fitting must be within +or- 5% of voltage required and cannot be installed more than 25m from LED Driver, if not within this allowance warranty will be voided.
- Aluminium and 304SS fittings must not be installed within 5km of any salt water environments.
- All 316 stainless steel fittings must have regular cleaning maintenance to avoid any tea staining from forming on fitting. (Warranty does not cover Tea Staining).
- All o-rings and seals must be in place correctly to maintain warranty.
- These instructions may be updated at any time due to product improvements, Please visit website for most current installation instructions.

Steps for Installation:

1. Make sure that the electrical circuit is free of voltage (master switch off)
2. Place fitting in desired location
3. Connect the cable -
4. Use an appropriate 12v DC or 24v DC LED Driver - DO NOT CONNECT LIGHT FITTING DIRECT TO 240V
5. Strip back cable on both fittings and cable run and twist the positive cable from fitting to positive on the cable run then negative .
6. Solder all joins using solder with either a heat gun or butane gas torch.
7. Cover connections using an adhesive lined heat shrink or gel cap to make connection watertight. (failure to do this step will void warranty)
8. Heat the heat shrink or crimp the gel cap making sure all connections are covered.
9. Fitting is preset to 3000k, To change Colour Temperature, Open cover by twisting Clock Wise and set aside, Remove module carefully and slide switch located on back
10. Reinsert Module and reattach cover by twisting clock wise making sure seals are still in place to avoid water penetration.
11. All connections must be carried out carefully, inspect all contacts before switching back on the electric circuit.

Steps for Installing Honeycomb Lens and Linear Lens:

1. Open cover by twisting Clock Wise and set aside,
2. Insert Honeycomb Lens or Linear Lens.
3. Reattach cover by twisting clock wise making sure seals are still in place to avoid water penetration.
4. All connections must be carried out carefully, inspect all contacts before switching back on the electric circuit.

Must be installed by a licensed electrician

Contact Details:

143 Beauchamp Road
Matraville NSW 2036
Australia

Tel: 02 9381 8300
Fax: 02 9666 8881
Email: sales@havit.com.au
Web: www.havit.com.au

Warranty Terms & Conditions*



www.havit.com.au

