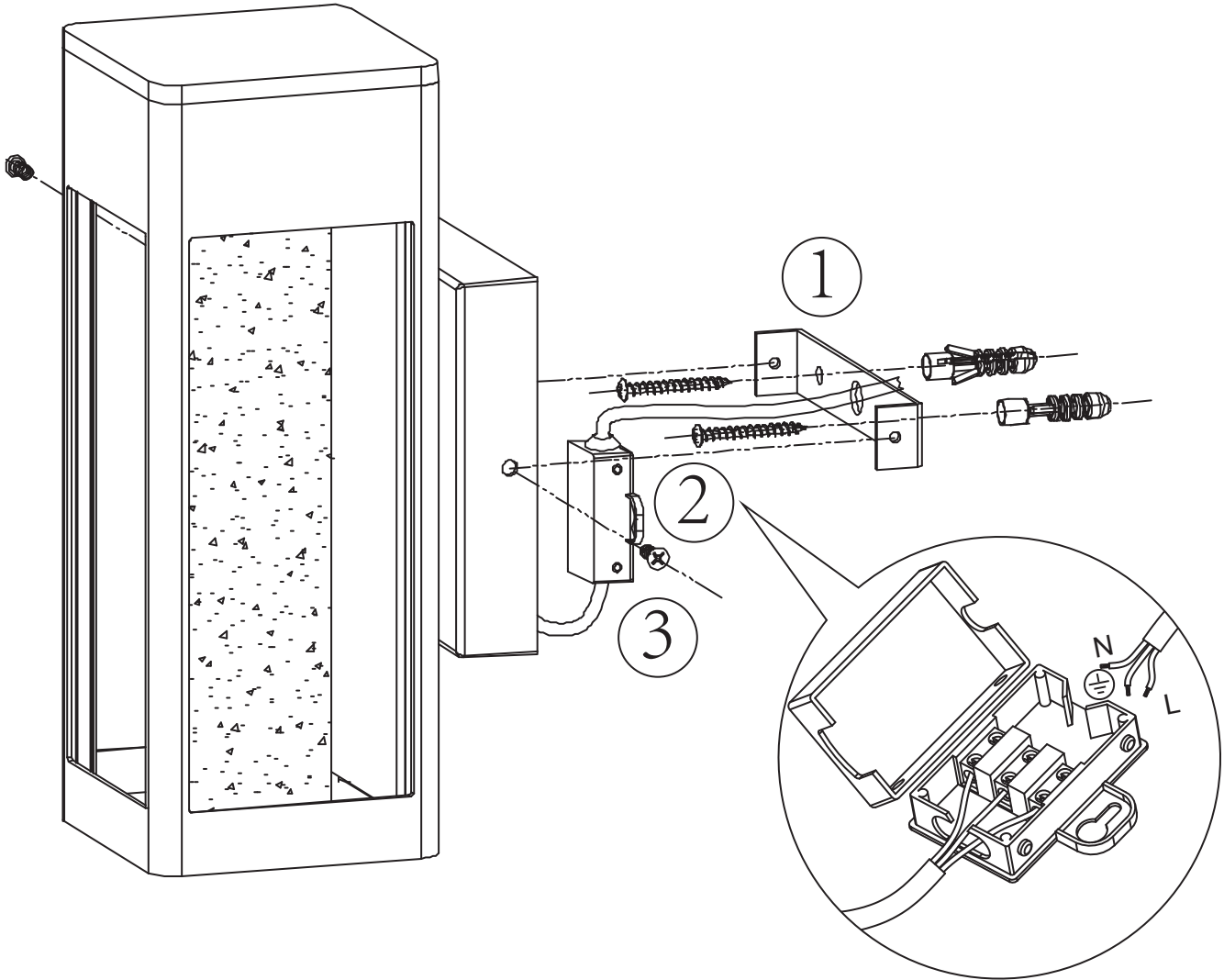


ITEMNO.:HOLLIS EX25/35/55



IMPORTANT
Must be installed by a qualified electrical contractor.
Install in accordance with AS/NZS3000

