

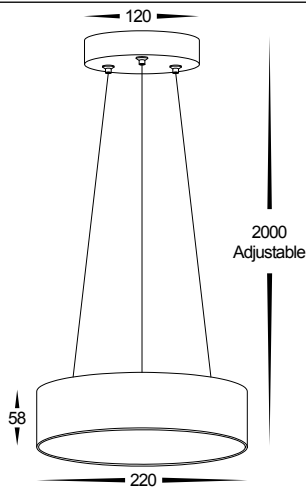
Dali Pendants Installation Instructions



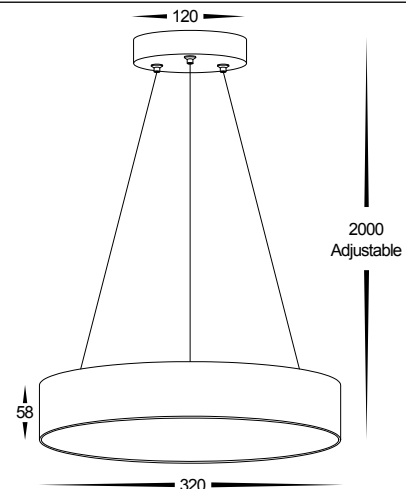
Product Specifications

Model No.	HCP-8922004-PDT	HCP-8932004-PDT	HCP-8923004-PDT	HCP-8933004-PDT
Material	Aluminium		Aluminium	
Colour	Black	White	Black	White
Installation Type	Ceiling - Suspended		Ceiling - Suspended	
IP Rating	IP20		IP20	
Input Voltage	240v		240v	
Protection Class	1 (Requires Earth) ⚡		1 (Requires Earth) ⚡	
Lamp Base	Built in LED		Built in LED	
Lamp Wattage	1x 20W		1x 30W	
Colour Temp	Tri-Colour - 3000k, 4000k, 5000k		Tri-Colour - 3000k, 4000k, 5000k	
Lumens	1214lm, 1345lm, 1251lm		2056lm, 2131lm, 2212lm	
CRI	> 90		> 90	
Dimmable	Yes - Dali Dimmable		Yes - Dali Dimmable	
Warranty	5 Years Replacement*		5 Years Replacement*	

HCP-8922004-PDT + HCP-8932004-PDT Dimensions



HCP-8923004-PDT + HCP-8933004-PDT Dimensions



Important Safety Issues:

- This product must be installed by a qualified electrician according to AS/NZS 3000.
- Ensure all electrical mains are disconnected before any installation.
- Modification of this product will void any warranty.
- Havit Commercial does not take responsibility for wrong installation, incorrect use, or use of installation material that does not belong to the system.
- Aluminium and 304SS fittings must not be installed within 5km of any salt water environments.
- All o-rings and seals must be in place correctly to maintain warranty
- This form may be updated at any time due to product improvements, please check online installation form for most current version.

Steps for Installation:

1. Make sure that the electrical circuit is free of voltage (master switch off)
2. Remove bracket from canopy by removing screws on side and set aside
3. Install bracket in desired location using appropriate screws for application.
4. Push in cable grommet on to allow cable to slide.
5. Pull cable through and adjust to desired length and cut off any excess.
6. Connect the cable: Use wire with earth, connect earth first then positive and then neutral
7. Connect Dali cable to Dali Signal Cable
8. Reattach canopy to bracket by reinserting screws making sure these are tight.
9. Check fitting is Level, If not adjust cables by pushing in cable grommet until level.
10. Fitting is preset to 3000k, To change slide switch on top of fitting to desired colour temperature
11. All connections must be carried out carefully, inspect all contacts before switching back on the electric circuit.

Must be installed by a licensed electrician

Contact Details:

8/133 Beauchamp Road
Matraville NSW 2036
Australia
Tel: 02 9381 8383
Email: sales@havitcommercial.com.au
Web: www.havitcommercial.com.au

Warranty Terms & Conditions*



www.havitcommercial.com.au

