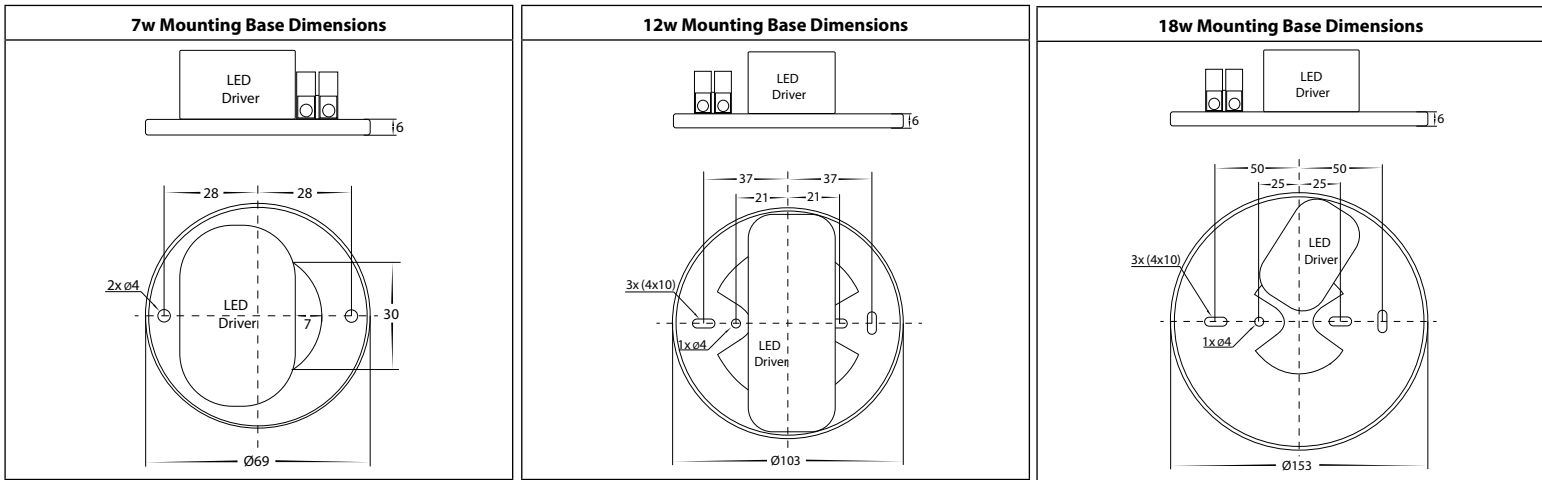
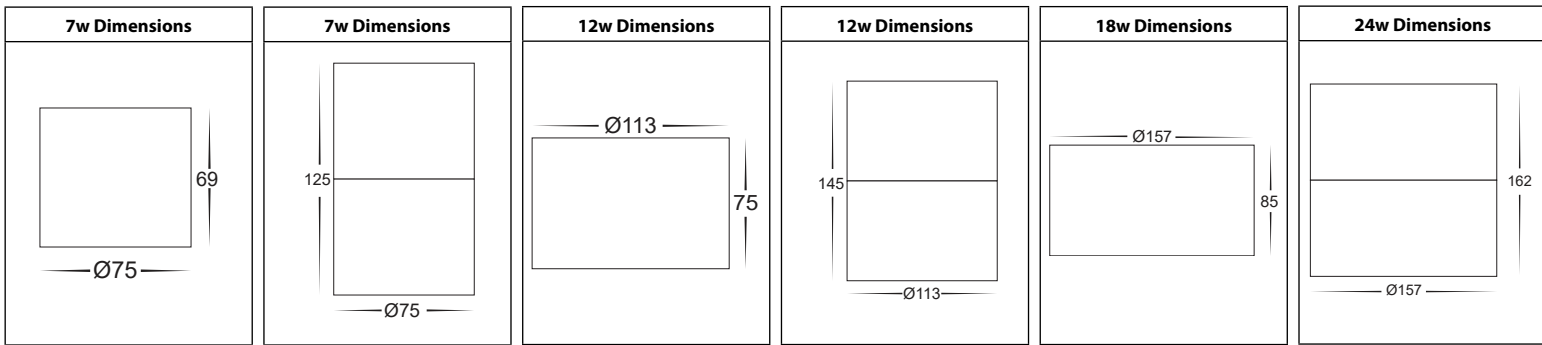


Surface Mounted Downlight Installation Instructions



Product Specifications

Model No.	HCP-8920704	HCP-8930704	HCP-8921204	HCP-8931204	HCP-8921804	HCP-8931804
	HCP-8920714	HCP-8930714	HCP-8921214	HCP-8931214	HCP-8921814	HCP-8931814
Material	Aluminium					
Colour	Black	White	Black	White	Black	White
Installation Type	Surface Mounted - Ceiling					
IP Rating	IP54					
Input Voltage	240v					
Protection Class	1 (Requires Earth) ⚡					
Lamp Base	Built in LED					
Lamp Wattage	1x 7w		1x 12w		1x 18w	
Colour Temp	TRI-Colour - 3000k, 4000k, 5500k		TRI-Colour - 3000k, 4000k, 5500k		TRI-Colour - 3000k, 4000k, 5500k	
Lumens	560lm, 595lm, 630lm		1051lm, 1127lm, 1138lm		1306lm, 1433lm, 1381lm	
CRI	> 90					
Wiring	Parallel					
Dimmable	Yes - Dali Dimmable					
Warranty	5 Years Replacement*					



Important Safety Issues:

- This product must be installed by a qualified electrician according to AS/NZS 3000.
- Ensure all electrical mains are disconnected before any installation.
- Modification of this product will void any warranty.
- Havit Commercial does not take responsibility for wrong installation, incorrect use, or use of installation material that does not belong to the system.
- Aluminium and 304SS fittings must not be installed within 5km of any salt water environments.
- All o-rings and seals must be in place correctly to maintain warranty
- This form may be updated at any time due to product improvements, please check online installation form for most current version.

Steps for Installation:

1. Make sure that the electrical circuit is free of voltage (master switch off)
2. Remove base plate by twisting anti clockwise.
3. Unplug fitting from driver and set fitting aside
4. Install base plate in desired location using appropriate screws for application. If fitting is installed in an outdoor environment, Seal must stay in place to keep fittings IP Rating.
5. Connect the cable: Use wire with earth, connect earth first then positive and then neutral
6. Connect Dali Cable to Dali System
7. Reconnect plug from fitting to driver.
8. Fitting is preset to 3000k, To change slide switch inside fitting to desired colour temperature
9. Reattach fitting to base plate by twisting clockwise
10. All connections must be carried out carefully, inspect all contacts before switching back on the electric circuit.

Must be installed by a licensed electrician

Contact Details:

8/133 Beauchamp Road
Matraville NSW 2036
Australia
Tel: 02 9381 8383
Email: sales@havitcommercial.com.au
Web: www.havitcommercial.com.au

Warranty Terms & Conditions*



www.havitcommercial.com.au

