

20W ALUMINIUM WHITE RECESSED LED DOWNLIGHT

Web: www.havitcommercial.com.au
 Email: sales@havitcommercial.com.au
 Phone: 02 9381 8383

ADDRESS: 8/133 Beauchamp Road, Matraville, N.S.W., 2036



Warranty T & Cs



Website



PRODUCT SPECIFICATIONS

| | |
|-------------------|----------------------------------|
| MATERIAL | ALUMINIUM |
| COLOUR / FINISH | WHITE |
| INSTALLATION TYPE | CEILING - RECESSED |
| CUT OUT | Ø150MM |
| COLOUR TEMP | 3000K 4000K 5700K |
| LUMENS | 2200LM 2400LM 2300LM |
| INPUT VOLTAGE | 240V (SUPPLIED WITH FLEX & PLUG) |
| PROTECTION CLASS | 2 (NO EARTH REQUIRED) |
| LAMP BASE | BUILT IN 20W LED |
| DIMMING | TRIAC DIMMABLE |
| CRI | RA >90 |
| BEAM ANGLE | 100° |
| IP RATING | IP44 |
| IK RATING | IK04 |
| LAMP EXPECTANCY | >50,000HRS* |
| SDCM | <6 |
| UGR | <27 |
| IC RATING | IC-4 |
| TILT | NO TILT |
| WARRANTY | 5 YEARS REPLACEMENT* |

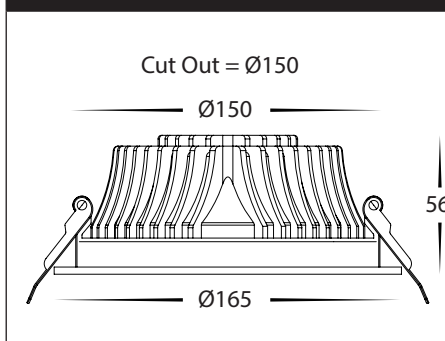


PRODUCT ORDERING

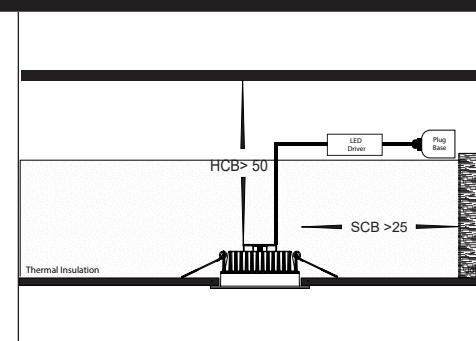
| | | | |
|--|-------------|-------------------------|----------------------------|
| | HCP-8232012 | 3000K 4000K 5700K | 2200LM 2400LM 2300LM |
|--|-------------|-------------------------|----------------------------|



DIMENSIONS



SAMPLE INSTALLATION DIAGRAM



3000K

4000K

5700K