

2X 13W DIM TO WARM RECESSED LED DOWNLIGHTS

Web: www.havitcommercial.com.au
 Email: sales@havitcommercial.com.au
 Phone: 02 9381 8383

ADDRESS: 8/133 Beauchamp Road, Matraville, N.S.W., 2036



Warranty T & Cs



Website



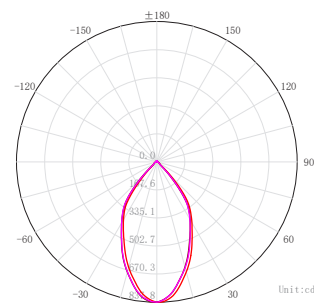
PRODUCT SPECIFICATIONS

MATERIAL	ALUMINIUM
COLOUR / FINISH	BLACK OR WHITE
INSTALLATION TYPE	CEILING - RECESSED
CUT OUT	190MM X 100MM
COLOUR TEMP	2000K - 3000K (Dim to Warm)
LUMENS	2X 844LM
INPUT VOLTAGE	240V (SUPPLIED WITH FLEX & PLUG)
PROTECTION CLASS	2 (NO EARTH REQUIRED)
LAMP BASE	BUILT IN LED
MAX WATTAGE	2X 13W
DIMMING	TRIAC OR DALI 2
CRI	95+
BEAM ANGLE	60° (OTHER BEAM ANGLES AVAILABLE)
IP RATING	IP44
IK RATING	IK02
LAMP EXPECTANCY	>50,000HRS*
SDCM	<3
UGR	<25
IC RATING	IC-4
DIFFUSER TYPE	PC
TILT	20°
WARRANTY	5 YEARS REPLACEMENT*



PHOTOMETRICS

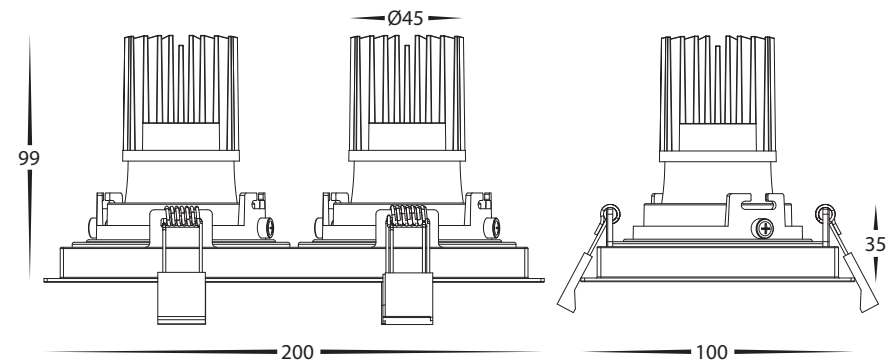
C Plane Distribution Diagram



C Plane	[50°Max.Ang.]	[10°Max.Ang.]
C180, 0.385, 0.0	58.5	91.4
C0, 0.180, 0	58.5	91.4
C90, 0.270, 0	58.5	91.1

DIMENSIONS

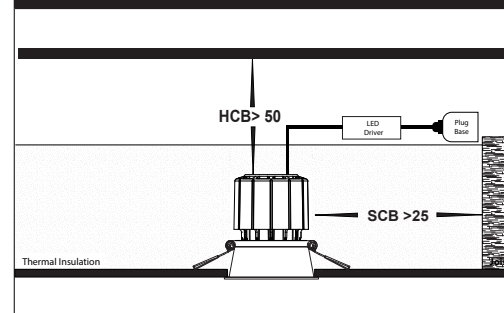
Cut Out: 190 x 100



PRODUCT ORDERING

ALUMINIUM BLACK						
	HCP-81228113	2000K - 3000K	2X 844LM	2X 13W BUILT IN LED	TRIAC DIMMABLE	9350418096302
	HCP-81248113				DALI DIMMABLE	9350418096609
ALUMINIUM WHITE						
	HCP-81328113	2000K - 3000K	2X 844LM	2X 13W BUILT IN LED	TRIAC DIMMABLE	9350418096456
	HCP-81348113				DALI DIMMABLE	9350418096753

SAMPLE INSTALLATION DIAGRAM



OPTIONAL REFLECTORS

	HCP-80091-15	15 Degrees
	HCP-80091-25	25 Degrees
	HCP-80091-38	38 Degrees

*See Warranty Terms & Conditions for More Information