

13W DIM TO WARM RECESSED LED DOWNLIGHTS

Web: www.havitcommercial.com.au
Email: sales@havitcommercial.com.au
Phone: 02 9381 8383

ADDRESS: 8/133 Beauchamp Road, Matraville, N.S.W., 2036



Warranty T & Cs

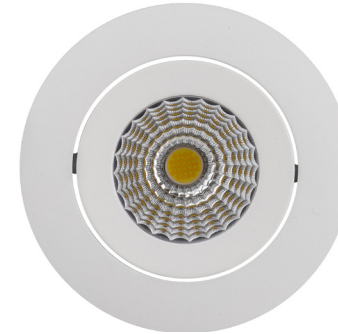


Website



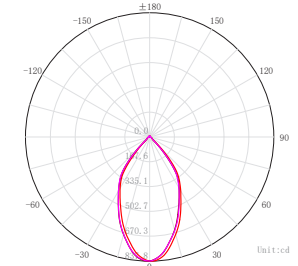
PRODUCT SPECIFICATIONS

MATERIAL	ALUMINIUM
COLOUR / FINISH	BLACK OR WHITE
INSTALLATION TYPE	CEILING - RECESSED
CUT OUT	Ø75MM
COLOUR TEMP	2000K - 3000K (DIM TO WARM)
LUMENS	844LM
INPUT VOLTAGE	240V (SUPPLIED WITH FLEX & PLUG)
PROTECTION CLASS	2 (NO EARTH REQUIRED)
LAMP BASE	BUILT IN LED
MAX WATTAGE	13W
DIMMING	TRIAC OR DALI 2
CRI	95+
BEAM ANGLE	60° (OTHER BEAM ANGLES AVAILABLE)
IP RATING	IP44
IK RATING	IK02
LAMP EXPECTANCY	>50,000HRS*
SDCM	<3
UGR	<25
IC RATING	IC-4
DIFFUSER TYPE	PC
TILT	20°
WARRANTY	5 YEARS REPLACEMENT*



PHOTOMETRICS

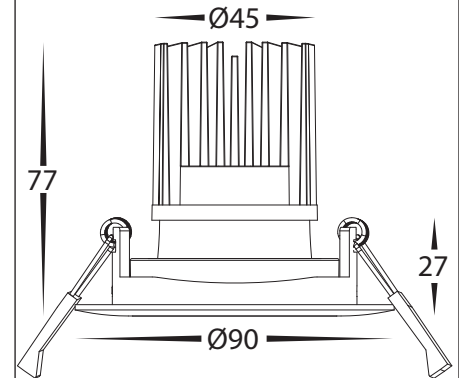
C Plane Distribution Diagram



C Plane [50%MaxAng.] [10%MaxAng.]
 - C180, 0, 360, 0 : 58.5 91.4
 - C0, 0, 180, 0 : 58.5 91.4
 - C90, 0, 270, 0 : 58.5 91.4

DIMENSIONS

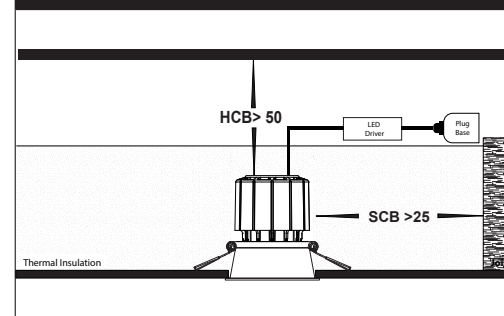
Cut Out: Ø75



PRODUCT ORDERING

ALUMINIUM BLACK						
	HCP-81228063	2000K - 3000K	844LM	13W BUILT IN LED	TRIAC DIMMABLE	9350418096258
	HCP-81248063				DALI DIMMABLE	9350418096555
ALUMINIUM WHITE						
	HCP-81328063	2000K - 3000K	844LM	13W BUILT IN LED	TRIAC DIMMABLE	9350418096401
	HCP-81348063				DALI DIMMABLE	9350418096708

SAMPLE INSTALLATION DIAGRAM



OPTIONAL REFLECTORS

	HCP-80091-15	15 Degrees
	HCP-80091-25	25 Degrees
	HCP-80091-38	38 Degrees

*See Warranty Terms & Conditions for More Information