

13W ALUMINIUM BLACK OR WHITE RECESSED LED DOWNLIGHT

Web: www.havitcommercial.com.au
Email: sales@havitcommercial.com.au
Phone: 02 9381 8383

ADDRESS: 8/133 Beauchamp Road, Matraville, N.S.W., 2036



Warranty T & Cs



Website



PRODUCT SPECIFICATIONS

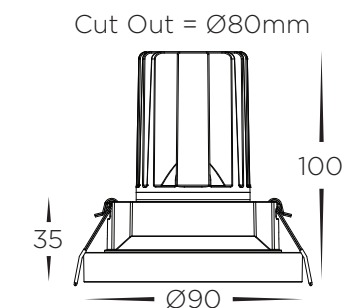
MATERIAL	ALUMINIUM
COLOUR / FINISH	BLACK OR WHITE
INSTALLATION TYPE	CEILING - RECESSED
CUT OUT	Ø80MM
COLOUR TEMP	3000K
LUMENS	939LM
INPUT VOLTAGE	240V (SUPPLIED WITH FLEX & PLUG)
PROTECTION CLASS	2 (NO EARTH REQUIRED)
LAMP BASE	BUILT IN LED
MAX WATTAGE	13W
DIMMING	TRIAC OR DALI 2
CRI	90+
BEAM ANGLE	60° (OTHER BEAM ANGLES AVAILABLE)
IP RATING	IP44
IK RATING	IK02
LAMP EXPECTANCY	>50,000HRS*
SDCM	<3
UGR	<25
IC RATING	IC-4
TILT	NO TILT
WARRANTY	5 YEARS REPLACEMENT*



PHOTOMETRICS



DIMENSIONS



PRODUCT ORDERING

ALUMINIUM BLACK

	HCP-81221583	3000K	939LM	13W BUILT IN LED	TRIAC DIMMABLE	9350418096104
	HCP-81241583				DALI DIMMABLE	9350418096128

ALUMINIUM WHITE

	HCP-81321583	3000K	939LM	13W BUILT IN LED	TRIAC DIMMABLE	9350418096111
	HCP-81341583				DALI DIMMABLE	9350418096135

OPTIONAL REFLECTORS

	HCP-80091-15	15 Degrees
	HCP-80091-25	25 Degrees
	HCP-80091-38	38 Degrees