

17W ALUMINIUM BLACK OR WHITE RECESSED LED DOWNLIGHT

Web: www.havitcommercial.com.au
 Email: sales@havitcommercial.com.au
 Phone: 02 9381 8383

ADDRESS: 8/133 Beauchamp Road, Matraville, N.S.W., 2036



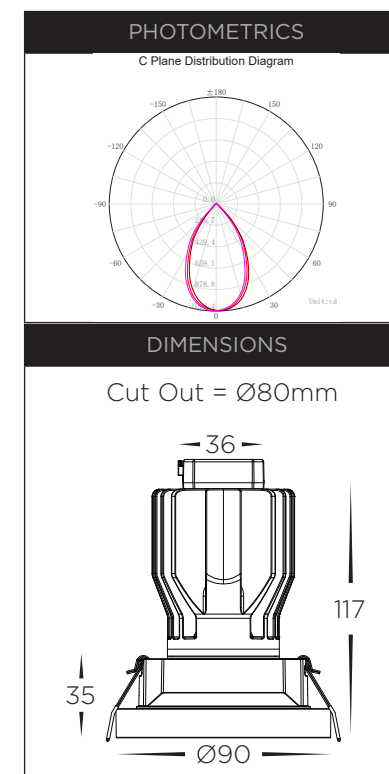
Warranty T & Cs



Website



PRODUCT SPECIFICATIONS	
MATERIAL	ALUMINIUM
COLOUR / FINISH	BLACK OR WHITE
INSTALLATION TYPE	CEILING - RECESSED
CUT OUT	Ø80MM
COLOUR TEMP	2700K 3000K 4000K 5000K 5700K
LUMENS	1191LM 1202LM 1297LM 1365LM 1397LM
INPUT VOLTAGE	240V (SUPPLIED WITH FLEX & PLUG)
PROTECTION CLASS	2 (NO EARTH REQUIRED)
LAMP BASE	BUILT IN LED
MAX WATTAGE	17W
DIMMING	TRIAC OR DALI 2
CRI	90+
BEAM ANGLE	60° (OTHER BEAM ANGLES AVAILABLE)
IP RATING	IP44
IK RATING	IK02
LAMP EXPECTANCY	>50,000HRS*
SDCM	<3
UGR	<25
IC RATING	IC-4
TILT	NO TILT
WARRANTY	5 YEARS REPLACEMENT*



PRODUCT ORDERING

ALUMINIUM BLACK						
	HCP-81221517	2700K 3000K 4000K 5000K 5700K	1191LM 1202LM 1297LM 1365LM 1397LM	5 COLOUR 17W BUILT IN LED	TRIAC DIMMABLE	9350418096005
	HCP-81241517				DALI DIMMABLE	9350418096081
ALUMINIUM WHITE						
	HCP-81321517	2700K 3000K 4000K 5000K 5700K	1191LM 1202LM 1297LM 1365LM 1397LM	5 COLOUR 17W BUILT IN LED	TRIAC DIMMABLE	9350418096012
	HCP-81341517				DALI DIMMABLE	9350418096098

OPTIONAL REFLECTORS		
	HCP-80090-15	15 Degrees
	HCP-80090-28	28 Degrees
	HCP-80090-40	40 Degrees