

# 13W ALUMINIUM BLACK OR WHITE RECESSED LED DOWNLIGHT

Web: [www.havitcommercial.com.au](http://www.havitcommercial.com.au)  
 Email: [sales@havitcommercial.com.au](mailto:sales@havitcommercial.com.au)  
 Phone: 02 9381 8383

ADDRESS: 8/133 Beauchamp Road, Matraville, N.S.W., 2036



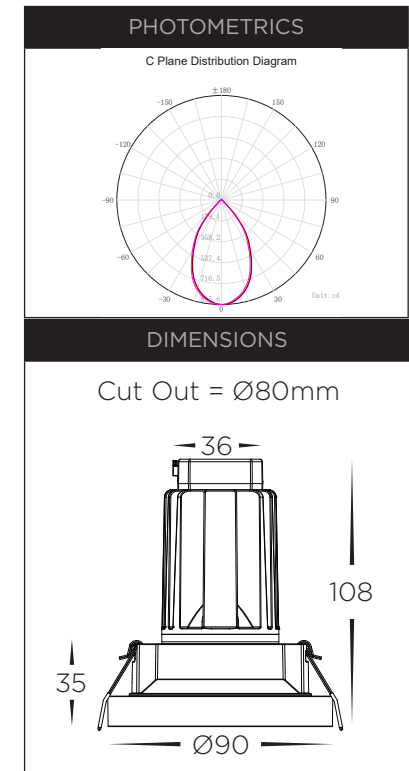
Warranty T & Cs



Website



PRODUCT SPECIFICATIONS	
MATERIAL	ALUMINIUM
COLOUR / FINISH	BLACK OR WHITE
INSTALLATION TYPE	CEILING - RECESSED
CUT OUT	Ø80MM
COLOUR TEMP	2700K   3000K   4000K   5000K   5700K
LUMENS	980LM   965LM   959LM   1072LM   1089LM
INPUT VOLTAGE	240V (SUPPLIED WITH FLEX & PLUG)
PROTECTION CLASS	2 (NO EARTH REQUIRED)
LAMP BASE	BUILT IN LED
MAX WATTAGE	13W
DIMMING	TRIAC OR DALI 2
CRI	90+
BEAM ANGLE	60° (OTHER BEAM ANGLES AVAILABLE)
IP RATING	IP44
IK RATING	IK02
LAMP EXPECTANCY	>50,000HRS*
SDCM	<3
UGR	<25
IC RATING	IC-4
TILT	NO TILT
WARRANTY	5 YEARS REPLACEMENT*



## PRODUCT ORDERING

TRIAC DIMMING						
	HCP-81221513	2700K 3000K 4000K	980LM 965LM 959LM	5 COLOUR 13W BUILT IN LED	TRIAC DIMMABLE	9350418095985
	HCP-81241513	5000K 5700K	1072LM 1089LM		DALI DIMMABLE	9350418096067
DALI 2 DIMMING						
	HCP-81321513	2700K 3000K 4000K	980LM 965LM 959LM	5 COLOUR 13W BUILT IN LED	TRIAC DIMMABLE	9350418095992
	HCP-81341513	5000K 5700K	1072LM 1089LM		DALI DIMMABLE	9350418096074

OPTIONAL REFLECTORS		
	HCP-80090-15	15 Degrees
	HCP-80090-28	28 Degrees
	HCP-80090-40	40 Degrees