

9W ALUMINIUM BLACK OR WHITE RECESSED LED DOWNLIGHT

Web: www.havitcommercial.com.au
 Email: sales@havitcommercial.com.au
 Phone: 02 9381 8383

ADDRESS: 8/133 Beauchamp Road, Matraville, N.S.W., 2036



Warranty T & Cs



Website



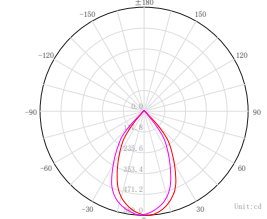
PRODUCT SPECIFICATIONS

| | |
|-------------------|---------------------------------------|
| MATERIAL | ALUMINIUM |
| COLOUR / FINISH | BLACK OR WHITE |
| INSTALLATION TYPE | CEILING - RECESSED |
| CUT OUT | Ø80MM |
| COLOUR TEMP | 2700K 3000K 4000K 5000K 5700K |
| LUMENS | 647LM 653LM 734LM 750LM 769LM |
| INPUT VOLTAGE | 240V (SUPPLIED WITH FLEX & PLUG) |
| PROTECTION CLASS | 2 (NO EARTH REQUIRED) |
| LAMP BASE | BUILT IN LED |
| MAX WATTAGE | 9W |
| DIMMING | TRIAC OR DALI 2 |
| CRI | 90+ |
| BEAM ANGLE | 60° (OTHER BEAM ANGLES AVAILABLE) |
| IP RATING | IP44 |
| IK RATING | IK02 |
| LAMP EXPECTANCY | >50,000HRS* |
| SDCM | <3 |
| UGR | <25 |
| IC RATING | IC-4 |
| TILT | NO TILT |
| WARRANTY | 5 YEARS REPLACEMENT* |



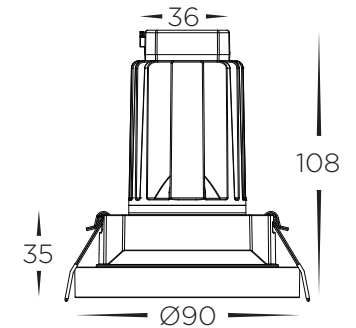
PHOTOMETRICS

C Plane Distribution Diagram



DIMENSIONS

Cut Out = Ø80mm



PRODUCT ORDERING

| ALUMINIUM BLACK | | | | | | |
|-----------------|--------------|---|---|--------------------------------|----------------|---------------|
| | HCP-81221509 | 2700K 3000K 4000K 5000K 5700K | 647LM 653LM 734LM 750LM 769LM | 5 COLOUR 9W BUILT IN LED | TRIAC DIMMABLE | 9350418095961 |
| | HCP-81241509 | | | | DALI DIMMABLE | 9350418096043 |
| ALUMINIUM WHITE | | | | | | |
| | HCP-81321509 | 2700K 3000K 4000K 5000K 5700K | 647LM 653LM 734LM 750LM 769LM | 5 COLOUR 9W BUILT IN LED | TRIAC DIMMABLE | 9350418095978 |
| | HCP-81341509 | | | | DALI DIMMABLE | 9350418096050 |

OPTIONAL REFLECTORS

| | | |
|--|--------------|------------|
| | HCP-80090-15 | 15 Degrees |
| | HCP-80090-28 | 28 Degrees |
| | HCP-80090-40 | 40 Degrees |