

# 6W ALUMINIUM BLACK OR WHITE RECESSED LED DOWNLIGHT

Web: [www.havitcommercial.com.au](http://www.havitcommercial.com.au)  
 Email: [sales@havitcommercial.com.au](mailto:sales@havitcommercial.com.au)  
 Phone: 02 9381 8383

ADDRESS: 8/133 Beauchamp Road, Matraville, N.S.W., 2036



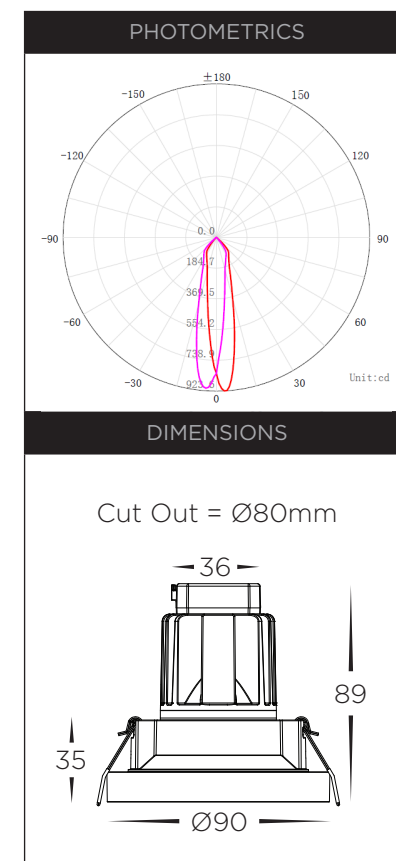
Warranty T & Cs



Website



PRODUCT SPECIFICATIONS	
MATERIAL	ALUMINIUM
COLOUR / FINISH	BLACK OR WHITE
INSTALLATION TYPE	CEILING - RECESSED
CUT OUT	Ø80MM
COLOUR TEMP	2700K   3000K   4000K   5000K   5700K
LUMENS	274LM   279LM   300LM   318LM   325LM
INPUT VOLTAGE	240V (SUPPLIED WITH FLEX & PLUG)
PROTECTION CLASS	2 (NO EARTH REQUIRED)
LAMP BASE	BUILT IN LED
MAX WATTAGE	6W
DIMMING	TRIAC OR DALI 2
CRI	90+
BEAM ANGLE	60° (OTHER BEAM ANGLES AVAILABLE)
IP RATING	IP44
IK RATING	IK02
LAMP EXPECTANCY	>50,000HRS*
SDCM	<3
UGR	<25
IC RATING	IC-4
TILT	NO TILT
WARRANTY	5 YEARS REPLACEMENT*



## PRODUCT ORDERING

ALUMINIUM BLACK						
	HCP-81221506	2700K 3000K 4000K 5000K 5700K	274LM 279LM 300LM 318LM 325LM	5 COLOUR 6W BUILT IN LED	TRIAC DIMMABLE	9350418095947
	HCP-81241506				DALI DIMMABLE	9350418096029
ALUMINIUM WHITE						
	HCP-81321506	2700K 3000K 4000K 5000K 5700K	274LM 279LM 300LM 318LM 325LM	5 COLOUR 6W BUILT IN LED	TRIAC DIMMABLE	9350418095954
	HCP-81341506				DALI DIMMABLE	9350418096036



SELECTABLE COLOUR  
TEMP AT THE BACK  
OF MODULE

OPTIONAL REFLECTORS		
	HCP-80090-15	15 Degrees
	HCP-80090-28	28 Degrees
	HCP-80090-40	40 Degrees