

13W ALUMINIUM BLACK OR WHITE RECESSED LED DOWNLIGHT

Web: www.havitcommercial.com.au
 Email: sales@havitcommercial.com.au
 Phone: 02 9381 8383

ADDRESS: 8/133 Beauchamp Road, Matraville, N.S.W., 2036



Warranty T & Cs



Website

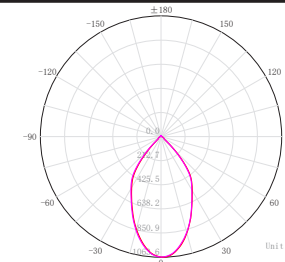


PRODUCT SPECIFICATIONS

MATERIAL	ALUMINIUM
COLOUR / FINISH	BLACK OR WHITE
INSTALLATION TYPE	CEILING - RECESSED
CUT OUT	Ø80MM
COLOUR TEMP	2700K-6500K (TUNABLE)
LUMENS	939LM
INPUT VOLTAGE	240V (SUPPLIED WITH FLEX & PLUG)
PROTECTION CLASS	2 (NO EARTH REQUIRED)
LAMP BASE	BUILT IN LED
MAX WATTAGE	13W
DIMMING	DALI 2
CRI	90+
BEAM ANGLE	60° (OTHER BEAM ANGLES AVAILABLE)
IP RATING	IP44
IK RATING	IK02
LAMP EXPECTANCY	>50,000HRS*
SDCM	<3
UGR	<25
IC RATING	IC-4
TILT	NO TILT
WARRANTY	5 YEARS REPLACEMENT*

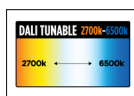
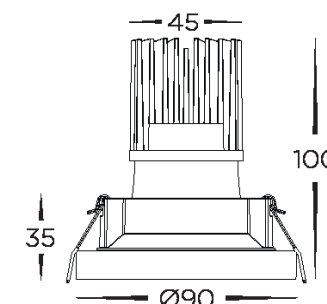


PHOTOMETRICS



DIMENSIONS

Cut Out = Ø80mm



PRODUCT ORDERING

ALUMINIUM BLACK					
	HCP-81251513	2700K - 6500K	955LM - 1024LM	TUNABLE 13W BUILT IN LED	9350418096142
ALUMINIUM WHITE					
	HCP-81351513	2700K - 6500K	955LM - 1024LM	TUNABLE 13W BUILT IN LED	9350418096159

OPTIONAL REFLECTORS

	HCP-80091-15	15 Degrees
	HCP-80091-25	25 Degrees
	HCP-80091-38	38 Degrees