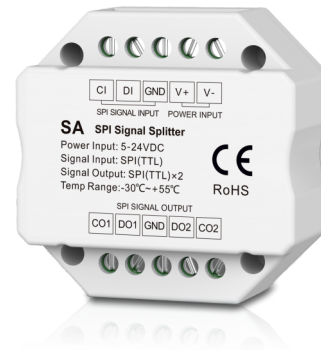


HCP-74212



SPI Signal Splitter

- Split 1 group SPI signal (data+clock) to 2 group SPI signals.
- Used with SPI controller, applied to synchronous control multiple SPI digital RGB or RGBW LED strips.

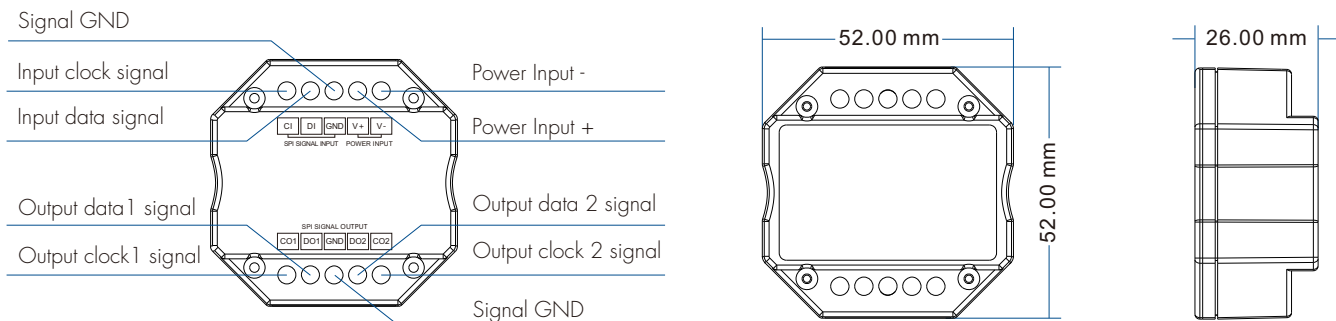


CE RoHS emc LVD

Technical Parameters

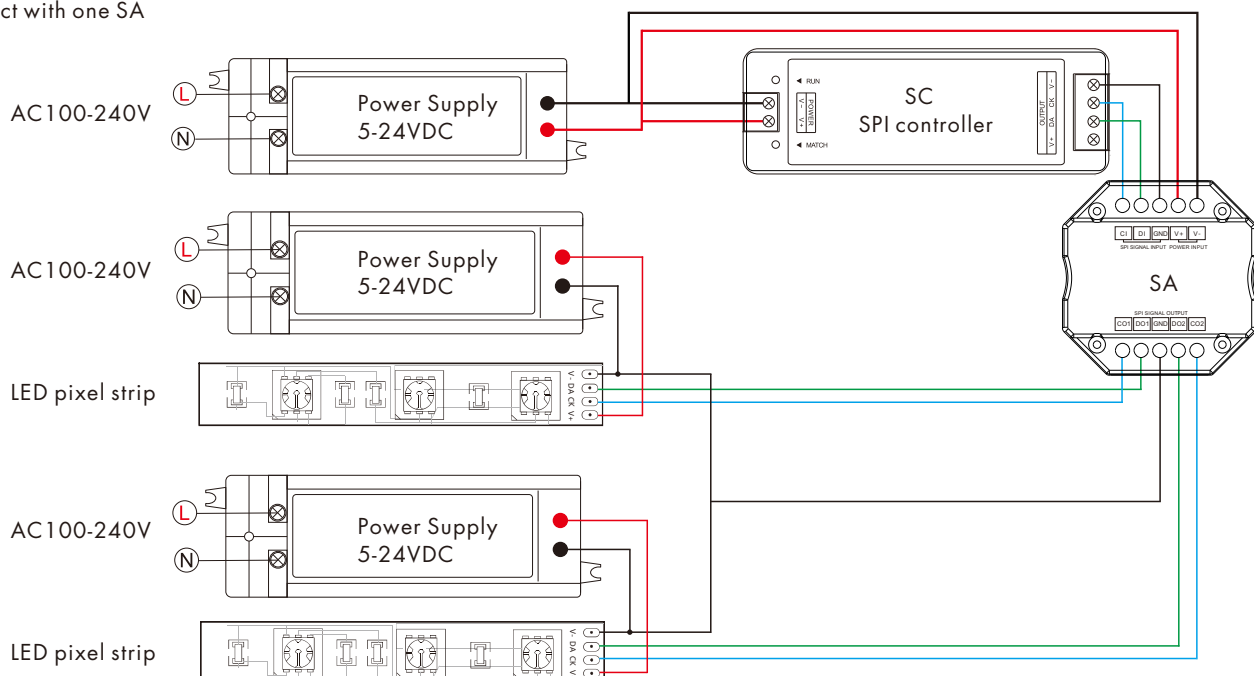
Input and Output		Environment		Safety and EMC	
Input voltage	5-24VDC	Operation temperature	Ta: -30°C ~ +55°C	EMC standard (EMC)	ETSI EN 301 489-1 V2.2.3 ETSI EN 301 489-17 V3.2.4
Input Current	0.5A Max.	Case temperature(Max.)	Tc: +65°C	Safety standard(LVD)	EN 62368-1:2020+A11:2020
Input signal	1 group SPI (TTL) signal	IP rating	IP20	Certification	CE, EMC, LVD
Output signal	2 group SPI (TTL) signals	Package			
Warranty and Protection		Size	L56 x W56 x H35mm		
Warranty	5 years	Gross weight	0.049kg		
Protection	Reverse Polarity				

Mechanical Structures and Installations

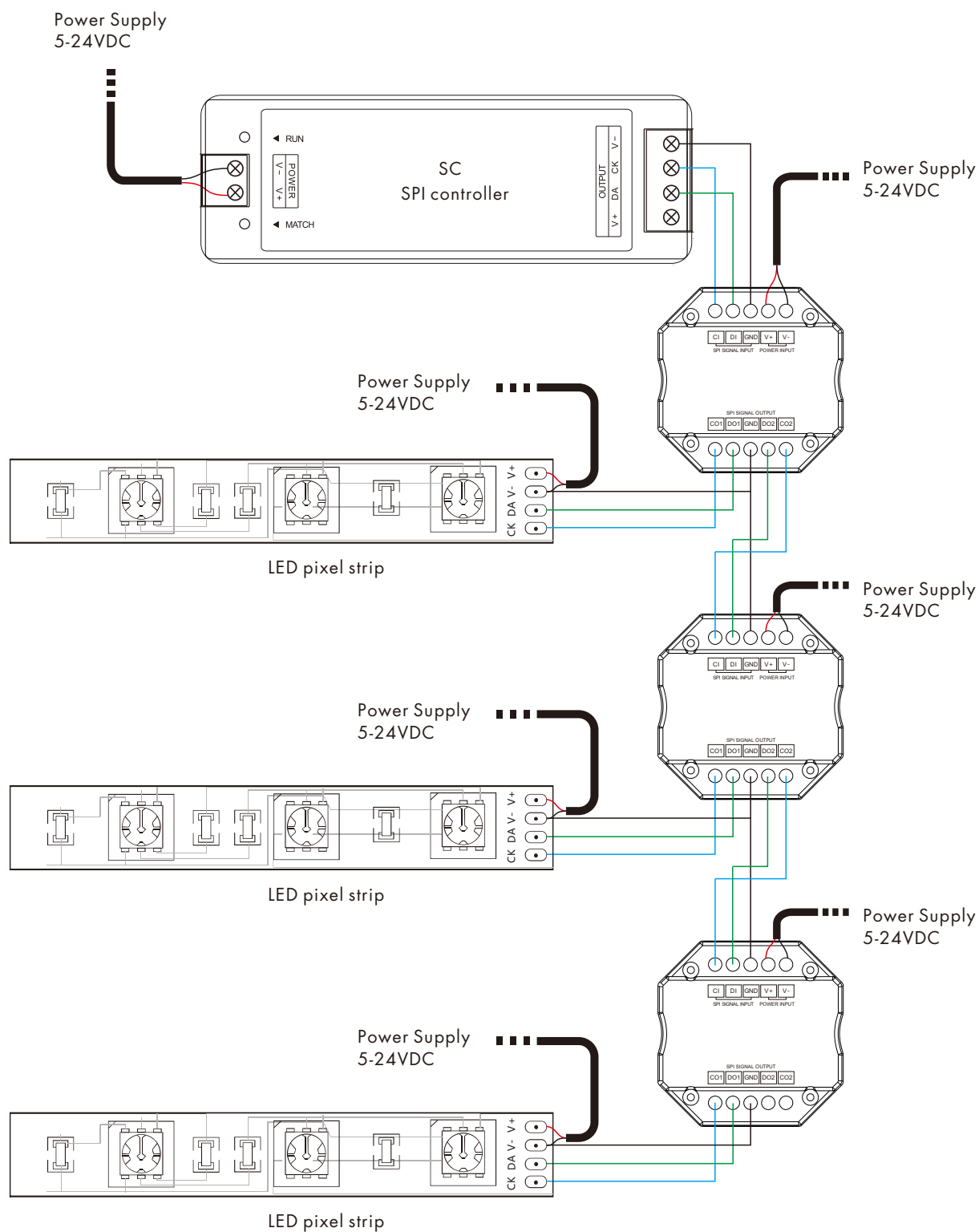


Wiring Diagram

- Connect with one SA



• Multiple SA cascade connect



Note:

- If the SPI LED pixel strip is single-wire control, the DATA and CLK output is same, each SA can connect up to 4 LED strips.
- If the SPI LED pixel strip is two-wire control, each SA connect up to 2 LED strips.