

# 24V DC 200W WEATHERPROOF LED DRIVER

Web: [www.havitcommercial.com.au](http://www.havitcommercial.com.au)  
 Email: [sales@havitcommercial.com.au](mailto:sales@havitcommercial.com.au)  
 Phone: 02 9381 8383

ADDRESS: 8/133 Beauchamp Road, Matraville, N.S.W., 2036



Warranty T & Cs

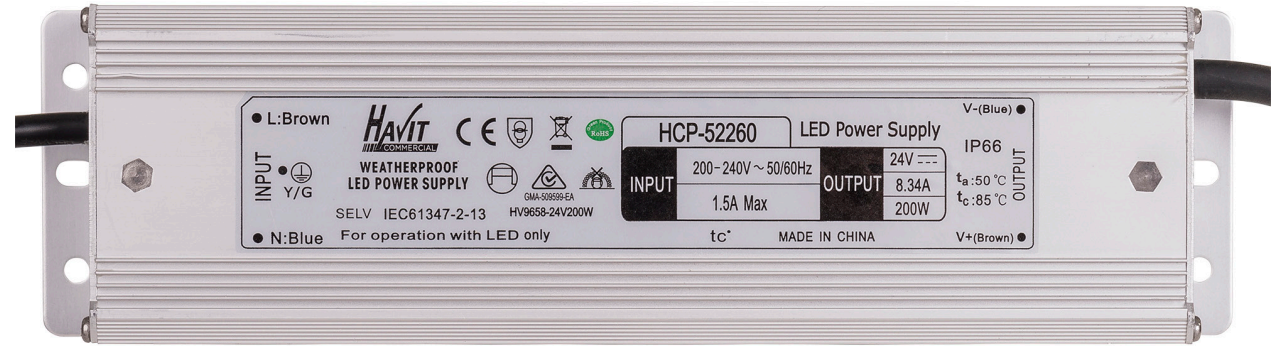


Website

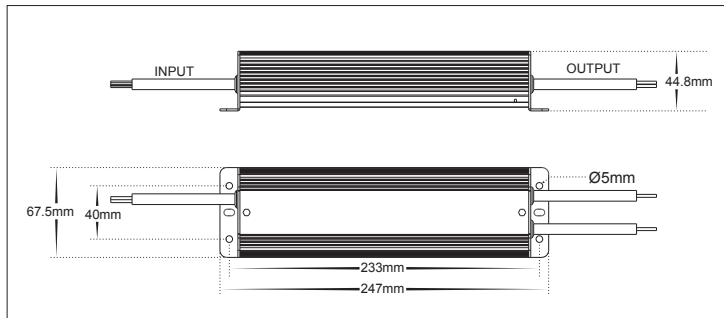


## PRODUCT SPECIFICATIONS

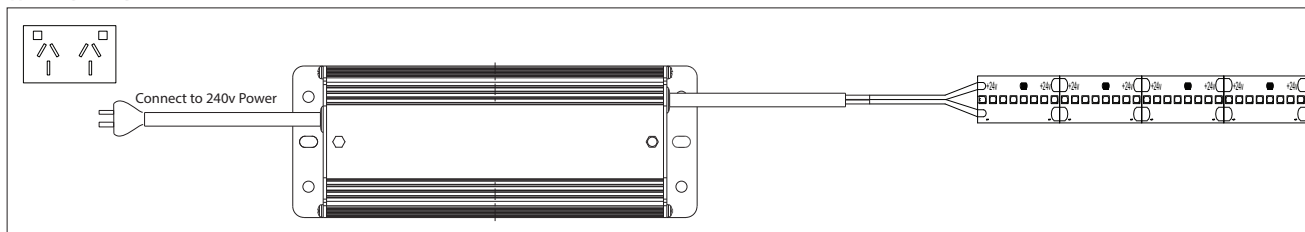
PART NUMBER	HCP-52260
MATERIAL	ALUMINIUM
COLOUR / FINISH	SILVER
INPUT VOLTAGE	240V AC (SUPPLIED WITH FLEX & PLUG)
OUTPUT VOLTAGE	24V DC CONSTANT VOLTAGE
DIMMING	NO
OVERLOAD PROTECTION	YES
SHORT CIRCUIT PROTECTION	YES
OVER VOLTAGE PROTECTION	YES
WORKING TEMP	-25°C TO +50°C
DRIVER POWER	200W
RECOMMENDED MAX. LOAD	160W
IP RATING	IP66
WARRANTY	5 YEARS REPLACEMENT



## DIMENSIONS



## WIRING DIAGRAM



# 24V DC 200W WEATHERPROOF LED DRIVER

Web: [www.havitcommercial.com.au](http://www.havitcommercial.com.au)  
Email: [sales@havitcommercial.com.au](mailto:sales@havitcommercial.com.au)  
Phone: 02 9381 8383

ADDRESS: 8/133 Beauchamp Road, Matraville, N.S.W., 2036



Warranty T & Cs



Website



## DRIVER TECHNICAL INFORMATION

OUTPUT	DC VOLTAGE	24V
	RATED CURRENT	8.34A
	RATED POWER	200W
	VOLTAGE TOLERANCE	±2%
	CURRENT RANGE	0-8.34A
	RIPPLE AND NOISE (MAX)	240mVp-p
	LINE REGULATION	±1%
	LOAD REGULATION	±2%
	NO. OF OUTPUT CABLES	1
	SETUP TIME	2000ms, 50ms (AT FULL LOAD) 230V AC
	HOLDING TIME (TYP.)	15ms (AT FULL LOAD) 230V AC
INPUT	VOLTAGE RANGE - NOTE 2	200-240v AC
	FREQUENCY RANGE	47-63hz
	POWER FACTOR (TYP.)	PF≥0.9/230V AC (AT FULL LOAD)
	EFFICIENCY (TYP.)	90.5
	AC CURRENT	1.17A/230V AC
	INRUSH CURRENT (TYP.)	COLD START: 65A/230V AC
	LEAKAGE CURRENT	<0.75mA/240V AC
PROTECTION	OVERLOAD	110%-135% OF RATED OUTPUT POWER PROTECTION MODE: CONSTANT CURRENT LIMITING, RECOVERS AUTOMATICALLY AFTER THE LOAD IS REDUCED.
	SHORT CIRCUIT	PROTECTION TYPE: HICCUP MODE, RECOVERS AUTOMATICALLY AFTER FAULT IS REMOVED
	OVER VOLTAGE	24.5-35V PROTECTION TYPE: HICCUP MODE, RECOVERS AUTOMATICALLY AFTER FAULT IS REMOVED
	OVER TEMPERATURE	TA: 55°C - 65°C PROTECTION TYPE: HICCUP MODE, RECOVERS AUTOMATICALLY AFTER FAULT IS REMOVED
	ENVIRONMENT	WORKING TEMPERATURE
WORKING HUMIDITY		10%-90%RH, NON CONDESNING
STORAGE TEMP. & HUMIDITY		-25°C - +75°C / 5% - 95%RH
TEMP. COEFFICIENT		±0.05%/°C (0-45°C)
VIBRATION		10-300Hz, 1G 10MIN./ CYCLE, PERIOD FOR 60MIN. EACH ALONG X, Y, Z AXES
SAFETY & EMC	SAFETY STANDARDS	COMPLIANCE TO EN61347-1, EN61347-2-13, AS/NZS61347-1 IP66 WATERPROOF RATING
	WITHSTAND VOLTAGE	I/P-O/P, I/P-FG, O/P-FG: 100Mohms/500Vdc 25°C/70%RH
	EMC EMISSION	COMPLIANCE TO AS/NZS CISPR15
	EMC IMMUNITY	COMPLIANCE TO AS/NZS CISPR15

