

24V DC 30W TRIAC DIMMABLE LED DRIVER

Web: www.havitcommercial.com.au
 Email: sales@havitcommercial.com.au
 Phone: 02 9381 8383

ADDRESS: 8/133 Beauchamp Road, Matraville, N.S.W., 2036



Warranty T & Cs



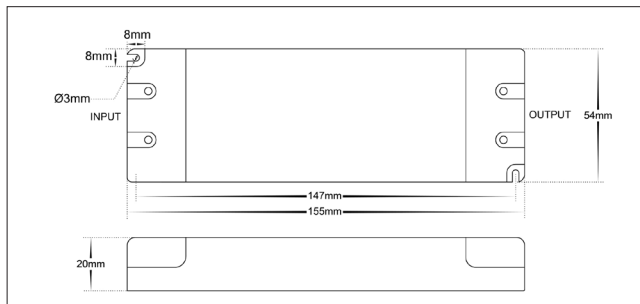
Website



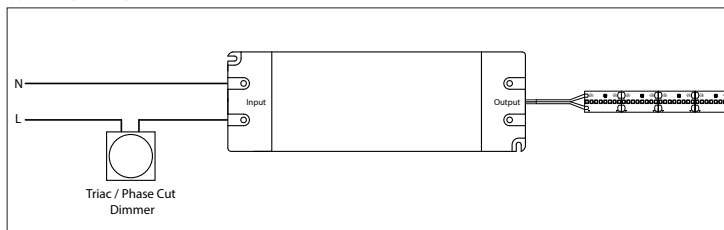
PRODUCT SPECIFICATIONS	
PART NUMBER	HCP-51221
MATERIAL	PLASTIC
COLOUR / FINISH	WHITE
INPUT VOLTAGE	240V AC (SUPPLIED WITH FLEX & PLUG)
OUTPUT VOLTAGE	24V DC CONSTANT VOLTAGE
DIMMING	YES (TRIAC DIMMING)
DIMMING RANGE	10%-100%
OVERLOAD PROTECTION	YES
SHORT CIRCUIT PROTECTION	YES
OVER VOLTAGE PROTECTION	YES
WORKING TEMP	-25°C TO +50°C
DRIVER POWER	30W
RECOMMENDED MAX. LOAD	24W
IP RATING	IP20
WARRANTY	5 YEARS REPLACEMENT



DIMENSIONS



WIRING DIAGRAM



24V DC 30W TRIAC DIMMABLE LED DRIVER

Web: www.havitcommercial.com.au
Email: sales@havitcommercial.com.au
Phone: 02 9381 8383

ADDRESS: 8/133 Beauchamp Road, Matraville, N.S.W., 2036



Warranty T & Cs



Website



DRIVER TECHNICAL INFORMATION

OUTPUT	DC VOLTAGE	24V
	RATED CURRENT	1.25A
	RATED POWER	30W
	VOLTAGE TOLERANCE	±5V
INPUT	VOLTAGE RANGE - NOTE 2	200-240V AC
	FREQUENCY RANGE	47-63hz
	POWER FACTOR (TYP.)	0.95
	EFFICIENCY(TYP.)	82%
	AC CURRENT	0.17A/230VAC
	LEAKAGE CURRENT	<0.5mA/240VAC
PROTECTION	SHORT CIRCUIT	PROTECTION TYPE: HICCUP MODE, RECOVERS AUTOMATICALLY AFTER FAULT IS REMOVED
	OVERLOAD	<120% OF RATED OUTPUT POWER
	OVER CIRCUIT	<1.2 I * OUT
	PROTECTION CLASS	II
ENVIRONMENT	WORKING TEMPERATURE	TA: -25°C - +60°C
	WORKING HUMIDITY	20%-90%RH, NON CONDENSING
	STORAGE TEMP. AND HUMIDITY	-25°C - +80°C / 10% - 95%RH
	TEMP. COEFFICIENT	±0.03%/°C (0-50°C)
	VIBRATION	10-500Hz,2G 12MIN./1 CYCLE, PERIOD FOR 72MIN. EACH ALONG X.Y.Z AXES.
SAFETY AND EMC	SAFETY STANDARDS	COMPLIANCE TO EN61347-1, EN61347-2-13, AS/NZS61347-1 IP20 RATING
	WITHSTAND VOLTAGE	I/P-O/P:3.75KVAC I/P-FG:1.88KVAC O/P-FG:0.5KVAC
	INSULATION RESISTANCE	I/P-O/P I/P-FG O/P-FG:100MΩ/500VDC/25°C/70%RH
	EMC EMISSION	COMPLIANCE TO AS/NZS CISPR15
	EMC IMMUNITY	COMPLIANCE TO AS/NZS CISPR15

