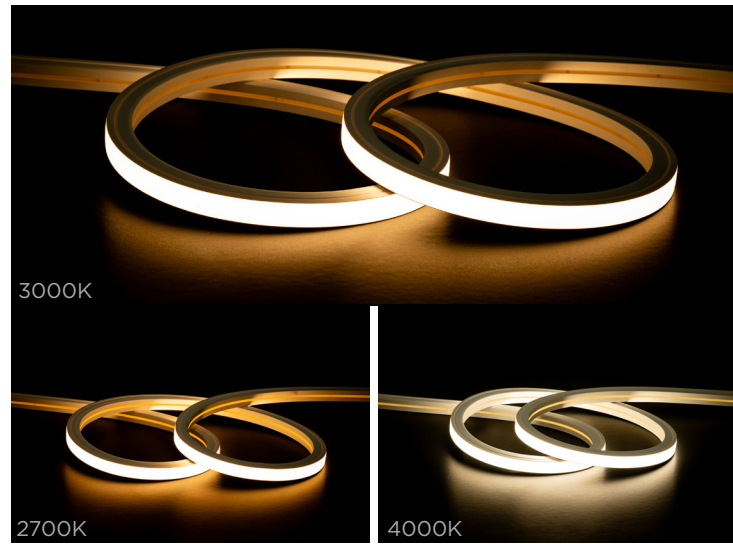


IP67 HAVIFLEX TOP BEND LED STRIP

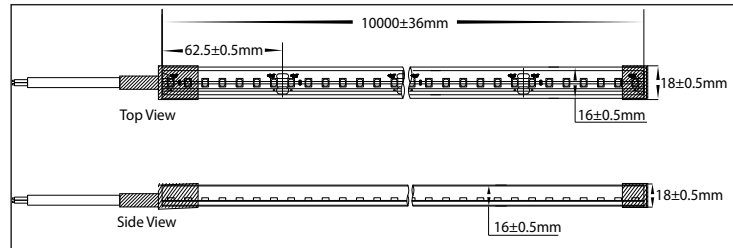


12W IP67 HAVIFLEX LED STRIP

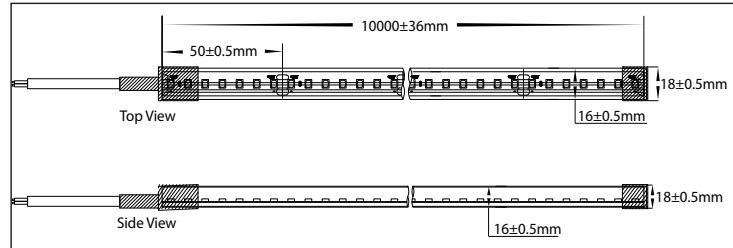
LED CHIP TYPE	2835
SIZE	16MM X 16MM (NOT INCLUDING END CAPS)
PCB	30Z
LED CHIPS PER METRE	112LED
CUT INCREMENTS	2700K = 62.5MM 3000K & 4000K = 50MM
COLOUR TEMP	2700K 3000K 4000K
LUMEN OUTPUT	635LM 660LM 680LM
INPUT VOLTAGE	24V DC CONSTANT VOLTAGE
WATTAGE	12W
MOUNTING	MOUNTING CLIPS (4 SUPPLIED PER METRE)
MAXIMUM LENGTH	10,000MM
REQUIREMENTS	24V DC CONSTANT VOLTAGE LED DRIVER
DIMMING	0-1/10V, DALI, DMX, RF, WIFI
OPERATING TEMP.	-20° TO 65° CELCIUS
AMBIENT TEMP.	-20° TO 45° CELCIUS
CRI	RA >90
BEAM ANGLE	120°
IP RATING	IP67
LIFE EXPECTANCY	>50000HRS
WARRANTY	5 YEARS REPLACEMENT



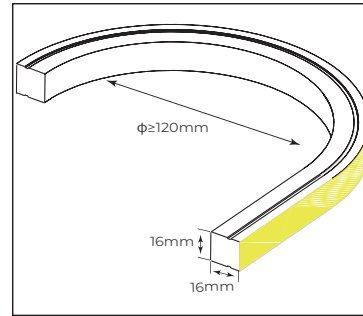
DIMENSIONS 2700K



DIMENSIONS 3000K + 4000K

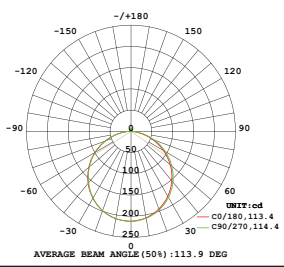


BENDING RADIUS



PHOTOMETRICS

[Light Distribution]



PRODUCT ORDERING

PART NUMBER	COLOUR TEMP.	LUMENS P/M
HCP-36616162	2700K	635LM
HCP-36616163	3000K	660LM
HCP-36616164	4000K	680LM

ACCESSORIES

IMAGE	DIMENSIONS	PART NUMBER	DESCRIPTION
		HCP-3661616-AC	ALUMINIUM CHANNEL TO SUIT - PER METRE (UP TO 3M LENGTH)
		HCP-3661616-MC	MOUNTING CLIP TO SUIT (SOLD IN PAIRS)



Web: www.havitcommercial.com.au
 Email: sales@havitcommercial.com.au
 Phone: 02 9381 8383

ADDRESS: 8/133 Beauchamp Road, Matraville, N.S.W., 2036



Warranty Terms & Conditions



www.havitcommercial.com.au