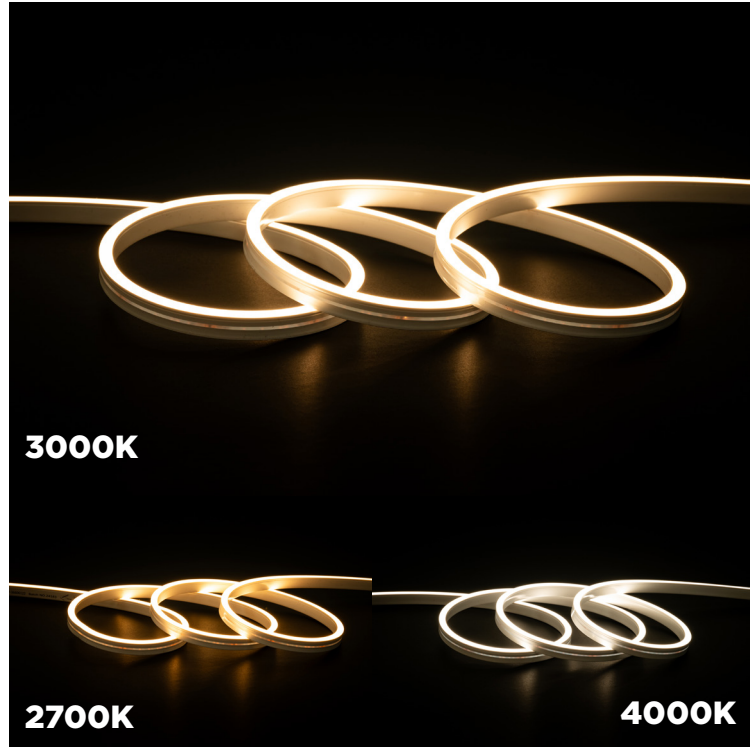


MINI IP67 HAVIFLEX SIDE BEND LED STRIP

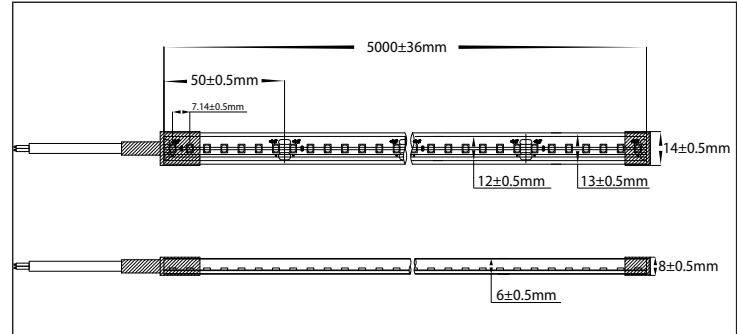


9.6W IP67 HAVIFLEX LED STRIP

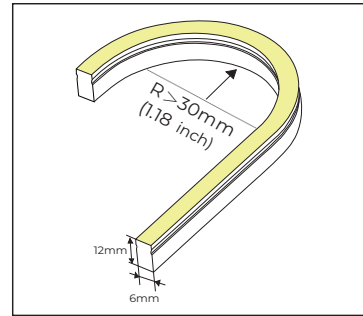
LED CHIP TYPE	2835
SIZE	6MM X 12MM (NOT INCLUDING END CAPS)
PCB	30Z
LED CHIPS PER METRE	140LED
CUT INCREMENTS	EVERY 50MM
COLOUR TEMP	2700K 3000K 4000K
LUMEN OUTPUT	280LM 285LM 290LM
INPUT VOLTAGE	24V DC CONSTANT VOLTAGE
WIRING	PARALLEL
MOUNTING	MOUNTING CLIPS (4 SUPPLIED PER METRE)
MAXIMUM LENGTH	5,000MM
REQUIREMENTS	24V DC CONSTANT VOLTAGE LED DRIVER
DIMMING	0-1/10V, DALI, DMX, RF, WIFI
OPERATING TEMP.	-20° TO 65° CELCIUS
AMBIENT TEMP.	-20° TO 45° CELCIUS
CRI	RA >90
BEAM ANGLE	120°
IP RATING	IP67
LIFE EXPECTANCY	>50000HRS
WARRANTY	5 YEARS REPLACEMENT



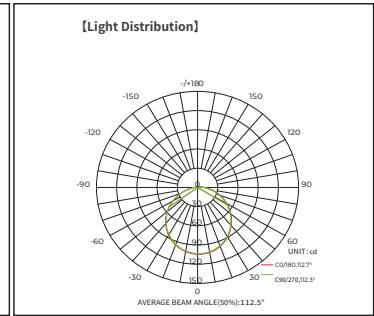
DIMENSIONS



BENDING RADIUS



PHOTOMETRICS



PRODUCT ORDERING

PART NUMBER	COLOUR TEMP.	LUMENS P/M
HCP-36606122	2700K	280LM
HCP-36606123	3000K	285LM
HCP-36606124	4000K	290LM

ACCESSORIES

IMAGE	DIMENSIONS	PART NUMBER	DESCRIPTION
		HCP-3660612-AC	ALUMINIUM CHANNEL TO SUIT - PER METRE (UP TO 2M LENGTH)
		HCP-3660612-MC	MOUNTING CLIP TO SUIT (SOLD IN PAIRS)
		HCP-3660612-BC	BENDABLE CHANNEL TO SUIT (SUPPLIED AS 2X 500MM)



Web: www.havitcommercial.com.au
 Email: sales@havitcommercial.com.au
 Phone: 02 9381 8383

ADDRESS: 8/133 Beauchamp Road, Matraville, N.S.W., 2036



Warranty Terms & Conditions



www.havitcommercial.com.au