

# MINI IP67 HAVIFLEX SIDE BEND LED STRIP

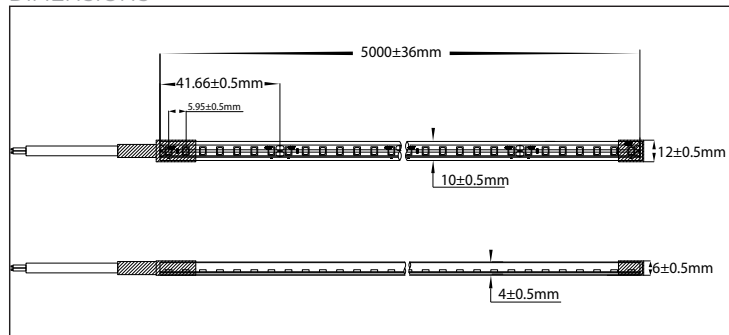


## 7.2W IP67 HAVIFLEX LED STRIP

LED CHIP TYPE	2835
SIZE	4MM X 10MM (NOT INCLUDING END CAPS)
PCB	30Z
LED CHIPS PER METRE	168LED
CUT INCREMENTS	EVERY 41.66MM
COLOUR TEMP	2700K   3000K   4000K
LUMEN OUTPUT	260LM   269LM   269LM
INPUT VOLTAGE	24V DC CONSTANT VOLTAGE
WIRING	PARALLEL
MOUNTING	MOUNTING CLIPS (4 SUPPLIED PER METRE)
MAXIMUM LENGTH	5,000MM
REQUIREMENTS	24V DC CONSTANT VOLTAGE LED DRIVER
DIMMING	0-1/10V, DALI, DMX, RF, WIFI
OPERATING TEMP.	-20° TO 65° CELCIUS
AMBIENT TEMP.	-20° TO 45° CELCIUS
CRI	RA >90
BEAM ANGLE	120°
IP RATING	IP67
LIFE EXPECTANCY	>50000HRS
WARRANTY	5 YEARS REPLACEMENT



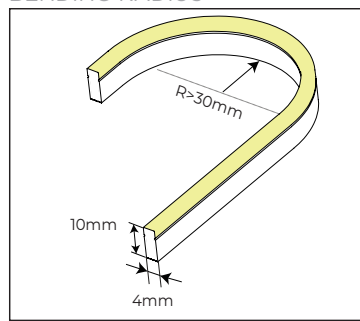
### DIMENSIONS



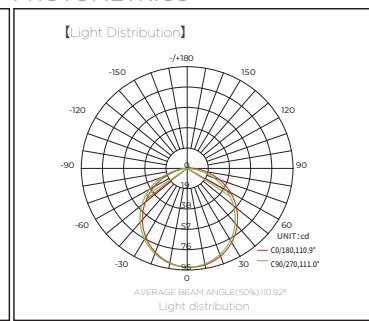
### PRODUCT ORDERING

PART NUMBER	COLOUR TEMP.	LUMENS P/M
HCP-36604102	2700K	260LM
HCP-36604103	3000K	269LM
HCP-36604104	4000K	269LM

### BENDING RADIUS



### PHOTOMETRICS



### ACCESSORIES

IMAGE	DIMENSIONS	PART NUMBER	DESCRIPTION
		HCP-3660410-AC	ALUMINIUM CHANNEL TO SUIT - PER METRE (UP TO 2M LENGTH)
		HCP-3660410-MC	MOUNTING CLIP TO SUIT (SOLD IN PAIRS)



Web: [www.havitcommercial.com.au](http://www.havitcommercial.com.au)  
 Email: [sales@havitcommercial.com.au](mailto:sales@havitcommercial.com.au)  
 Phone: 02 9381 8383

ADDRESS: 8/133 Beauchamp Road, Matraville, N.S.W., 2036



Warranty Terms & Conditions



[www.havitcommercial.com.au](http://www.havitcommercial.com.au)