

# 480LED COB LONG RUN LED STRIP

Web: [www.havitcommercial.com.au](http://www.havitcommercial.com.au)  
 Email: [sales@havitcommercial.com.au](mailto:sales@havitcommercial.com.au)  
 Phone: 02 9381 8383

ADDRESS: 8/133 Beauchamp Road, Matraville, N.S.W., 2036



Warranty T & Cs



Website



| 9.6W 24V DC 480LED COB LONG RUN LED STRIP |                                       |
|---|---------------------------------------|
| LED CHIP TYPE                             | COB                                   |
| SIZE                                      | 10MM X 2MM (NOT INCLUDING END CAPS)   |
| PCB                                       | 30Z                                   |
| LED CHIPS PER METRE                       | 480LED                                |
| CUT INCREMENTS                            | EVERY 50MM                            |
| COLOUR TEMP                               | 2700K   3000K   4000K                 |
| LUMEN OUTPUT                              | 800LM   810LM   860LM                 |
| INPUT VOLTAGE                             | 24V DC CONSTANT VOLTAGE               |
| WIRING                                    | PARALLEL                              |
| MOUNTING                                  | MOUNTING CLIPS (4 SUPPLIED PER METRE) |
| MAXIMUM LENGTH                            | 15,000MM                              |
| REQUIREMENTS                              | 24V DC CONSTANT VOLTAGE LED DRIVER    |
| DIMMING                                   | 0-1/10V, DALI, DMX, RF, WIFI          |
| OPERATING TEMP.                           | -20° TO 65° CELCIUS                   |
| AMBIENT TEMP                              | -20° TO 45° CELCIUS                   |
| CRI                                       | RA >90+                               |
| SDCM                                      | <3                                    |
| BEAM ANGLE                                | 120°                                  |
| IP RATING                                 | IP20                                  |
| LIFE EXPECTANCY                           | >50,000 HRS*                          |
| WARRANTY                                  | 5 YEARS REPLACEMENT*                  |



2700K

HCP-3221962



3000K

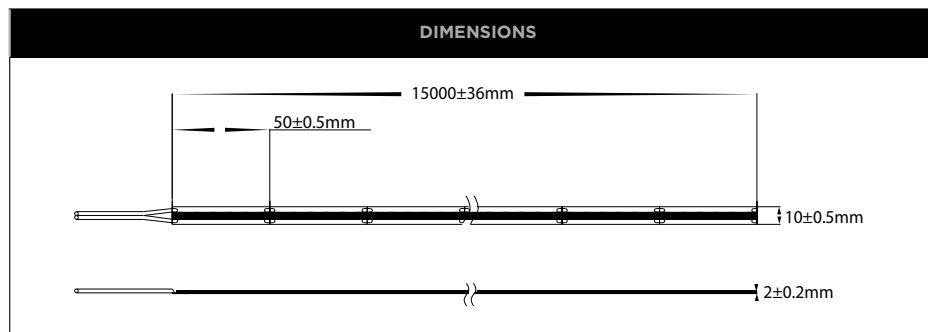
HCP-3221963



4000K

HCP-3221964

| PRODUCT ORDERING |       |       |
|------------------|-------|-------|
| HCP-3221962      | 2700K | 800LM |
| HCP-3221963      | 3000K | 810LM |
| HCP-3221964      | 4000K | 860LM |



\*SEE WARRANTY TERMS & CONDITIONS FOR MORE INFORMATION.

# 480LED COB LONG RUN LED STRIP

COMPATIBLE CONTROLLERS & DRIVERS

Web: [www.havitcommercial.com.au](http://www.havitcommercial.com.au)  
Email: [sales@havitcommercial.com.au](mailto:sales@havitcommercial.com.au)  
Phone: 02 9381 8383

ADDRESS: 8/133 Beauchamp Road, Matraville, N.S.W., 2036



Warranty T & Cs



Website



## EXAMPLES OF COMPATIBLE CONTROLLERS

SINGLE COLOUR LED STRIP CONTROLLERS

### TOUCH PANEL



HCP-75215



HCP-75215

### REMOTE CONTROLLER



HCP-72812



HCP-73211



SCAN TO EXPLORE  
FULL RANGE OF SINGLE  
COLOURED LED STRIP  
CONTROLLERS

## EXAMPLES OF COMPATIBLE DRIVERS

### TRIAC



HCP-51221

### DALI 2 OR PUSH DIM



HCP-522231

### NON DIMMABLE



HCP-522231

### TRIAC + 0-1 / 10V



HCP-52222



SCAN TO  
EXPLORE FULL  
RANGE OF LED  
DRIVERS

