

4-6W 3 WAY 316 STAINLESS STEEL INGROUND LIGHT

Web: www.havitcommercial.com.au
Email: sales@havitcommercial.com.au
Phone: 02 9381 8383

ADDRESS: 8/133 Beauchamp Road, Matraville, N.S.W., 2036



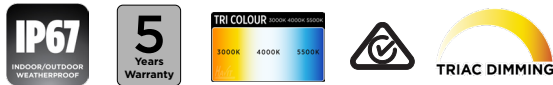
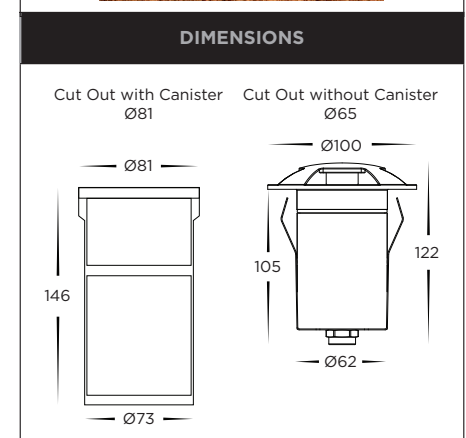
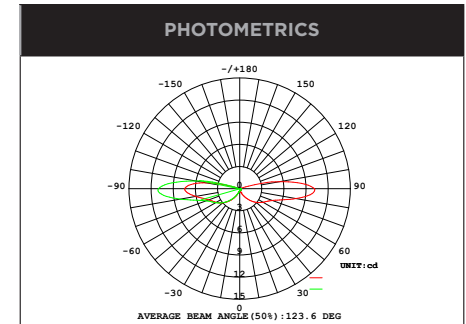
Warranty T & Cs



Website

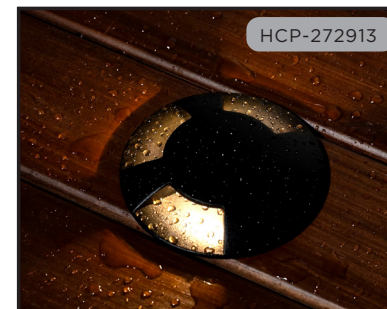
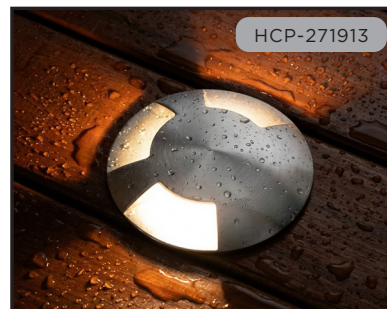


PRODUCT SPECIFICATIONS	
MATERIAL	316 STAINLESS STEEL
COLOUR / FINISH	316 STAINLESS STEEL BLACK
COLOUR TEMP	3000K 4000K 5500K (TRI-COLOUR)
LUMENS	3x 13LM 3x 15LM 3x 15LM
INPUT VOLTAGE	12 - 24V DC
PROTECTION CLASS	3 (NO EARTH REQUIRED)
LAMP BASE	4-6W BUILT IN LED
CRI	RA >90+
DIMMING	YES - TRIAC DIMMABLE WHEN USED WITH 12V DC LED DRIVER
CABLE LENGTH	500MM
TRAFFICABLE	YES - UP TO 1,000 KGS
UGR	<10
SDCM	<3
INSTALLATION TYPE	INGROUND - RECESSED
IK RATING	IK08
BEAM ANGLE	50°
LAMP EXPECTANCY	>30000HRS*
IP RATING	IP67
WARRANTY	5 YEARS REPLACEMENT*



PRODUCT ORDERING

316 STAINLESS STEEL			
	HCP-271913	3000K 4000K 5500K	3x 13LM 3x 15LM 3x 15LM
316 STAINLESS STEEL BLACK			
	HCP-272913	3000K 4000K 5500K	3x 13LM 3x 15LM 3x 15LM



*SEE WARRANTY TERMS & CONDITIONS FOR MORE INFORMATION