

# 2.5W 55MM WALL OR INGROUND LIGHTS

Web: [www.havitcommercial.com.au](http://www.havitcommercial.com.au)  
 Email: [sales@havitcommercial.com.au](mailto:sales@havitcommercial.com.au)  
 Phone: 02 9381 8383

ADDRESS: 8/133 Beauchamp Road, Matraville, N.S.W., 2036



Warranty T & Cs



Website



PRODUCT SPECIFICATIONS	
MATERIAL	316 STAINLESS STEEL OR SOLID BRASS
COLOUR / FINISH	STAINLESS STEEL, BLACK, WHITE, BRASS & ANTIQUE BRASS
COLOUR TEMP	TRI COLOUR - 3000K   4000K   5500K
LUMEN OUTPUT	50LM   60LM   55LM
INPUT VOLTAGE	24V DC
BUILT IN LED	2.5W LED
DIMMING	NO
CRI	RA >90
BEAM ANGLE	120°
IP RATING	IP67
IK RATING	IK10
WARRANTY	5 YEARS REPLACEMENT



316 STAINLESS STEEL



316 STAINLESS STEEL  
BLACK



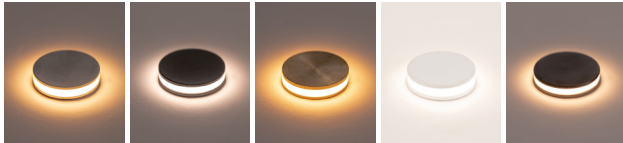
316 STAINLESS STEEL  
WHITE



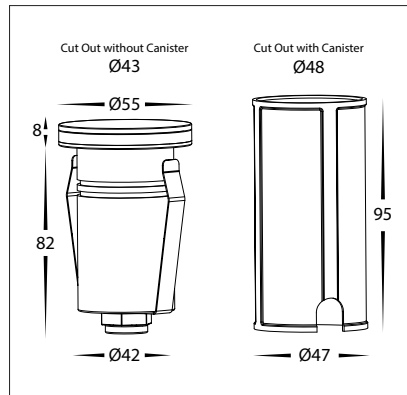
SOLID BRASS



SOLID BRASS WITH  
ANTIQUÉ BRASS FINISH



PRODUCT ORDERING	
HCP-271107	316 STAINLESS STEEL
HCP-272107	316 STAINLESS STEEL BLACK
HCP-273107	316 STAINLESS STEEL WHITE
HCP-275107	SOLID BRASS
HCP-276107	SOLID BRASS WITH ANTIQUE FINISH



**i** Solid Brass fittings will naturally tarnish, Solid brass fittings with additional coatings (Antique Brass & Graphite) may tarnish through the coating when installed in outdoor environments

