

18W LARGE BLACK LED BOLLARD LIGHT

Web: www.havitcommercial.com.au
 Email: sales@havitcommercial.com.au
 Phone: 02 9381 8383

ADDRESS: 8/133 Beauchamp Road, Matraville, N.S.W., 2036



Warranty T & Cs



Website



| PRODUCT SPECIFICATIONS | |
|------------------------|------------------------------------|
| MATERIAL | ALUMINIUM |
| COLOUR / FINISH | POLY POWDER COATED BLACK |
| AVAILABLE HEIGHTS | 540MM OR 940MM |
| INSTALLATION | GROUND - SURFACE MOUNTED |
| COLOUR TEMP | 3000K 4000K 5500K (TRI-COLOUR) |
| LUMENS | 425LM 450LM 435LM |
| INPUT VOLTAGE | 24V DC 240V |
| LAMP BASE | BUILT IN 18W |
| DIMMING | TRIAC DIMMABLE (240V MODEL ONLY) |
| CRI | RA >80 |
| BEAM ANGLE | 120° |
| IK RATING | IK08 |
| SDCM | <6 |
| UGR | <19 |
| IP RATING | IP65 |
| WARRANTY | 5 YEARS REPLACEMENT |



SCAN HERE
& EXPLORE
ALL NON-
DIMMABLE
24V DC LED
DRIVERS



540MM



940MM



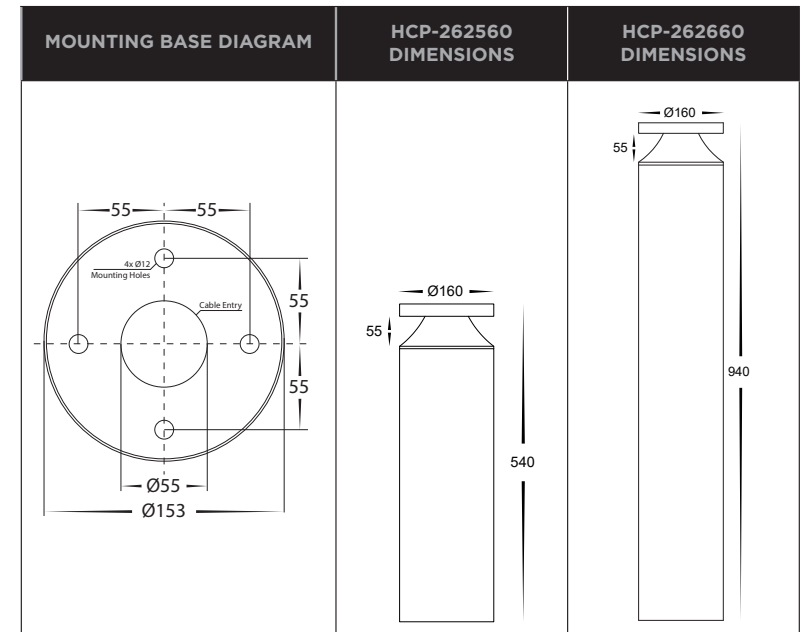
PRODUCT ORDERING

| HCP-262560 - 540MM | | | |
|--------------------|-------|-------|------|
| HCP-262560 | 3000K | 355LM | 240V |
| HCP-262560-24V | 4000K | 400LM | 24V |
| | 5500K | 375LM | |
| HCP-262660 - 940MM | | | |
| HCP-262660 | 3000K | 355LM | 240V |
| HCP-262660-24V | 4000K | 400LM | 24V |
| | 5500K | 375LM | |



OPTIONAL HAVIT COMPATIBLE ACCESSORIES

| IMAGE | PART NUMBER | DESCRIPTION |
|-------|--------------------|---------------------------------------------------------------|
| | 24v DC LED Drivers | SEE CATALOGUE OR WEBSITE FOR FULL RANGE OF 24V DC LED DRIVERS |



*See Warranty Terms & Conditions for more information.