

# 18W LARGE BLACK LED BOLLARD LIGHT

Web: [www.havitcommercial.com.au](http://www.havitcommercial.com.au)  
 Email: [sales@havitcommercial.com.au](mailto:sales@havitcommercial.com.au)  
 Phone: 02 9381 8383

ADDRESS: 8/133 Beauchamp Road, Matraville, N.S.W., 2036



Warranty T & Cs



Website



PRODUCT SPECIFICATIONS	
MATERIAL	ALUMINIUM
COLOUR / FINISH	POLY POWDER COATED BLACK
AVAILABLE HEIGHTS	600MM OR 1000MM
INSTALLATION	GROUND - SURFACE MOUNTED
COLOUR TEMP	3000K   4000K   5500K (TRI-COLOUR)
LUMENS	985LM   1105LM   1135LM
INPUT VOLTAGE	24V DC   240V
LAMP BASE	BUILT IN 18W
DIMMING	TRIAC DIMMABLE (240V MODEL ONLY)
CRI	RA >80
BEAM ANGLE	120°
IK RATING	IK08
SDCM	<6
UGR	<23
IP RATING	IP65
WARRANTY	5 YEARS REPLACEMENT



SCAN HERE & EXPLORE ALL NON-DIMMABLE 24V DC LED DRIVERS



600MM



1000MM



## PRODUCT ORDERING

HCP-262530 - 600MM			
HCP-262530	3000K 4000K 5500K	985lm 1105lm 1135lm	240V 24V
HCP-262630 - 1000MM			
HCP-262630	3000K 4000K 5500K	985lm 1105lm 1135lm	240V 24V



3000K



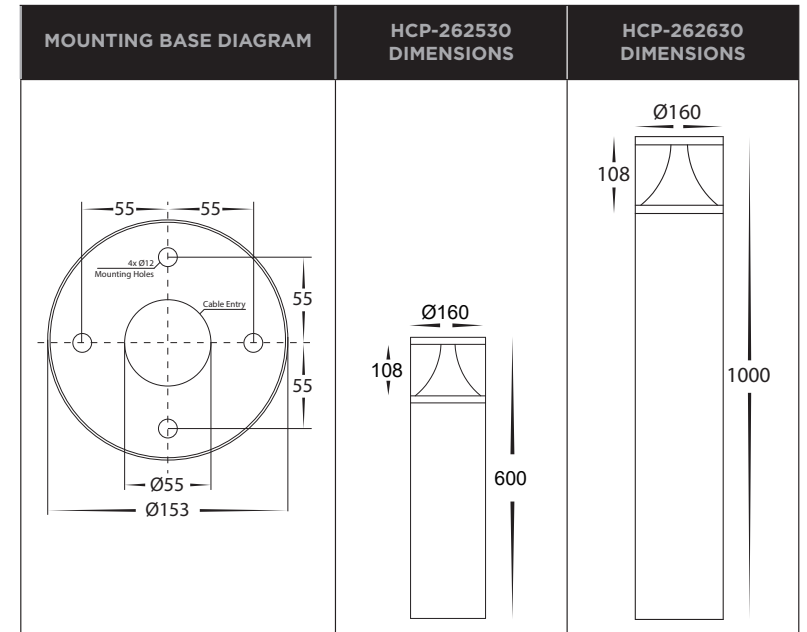
4000K



5500K

## OPTIONAL HAVIT COMPATIBLE ACCESSORIES

IMAGE	PART NUMBER	DESCRIPTION
	24v DC LED Drivers	SEE CATALOGUE OR WEBSITE FOR FULL RANGE OF 24V DC LED DRIVERS



\*See Warranty Terms & Conditions for more information.