

# BLACK 24W TRI COLOUR BALL SPOT LIGHT

Web: [www.havitcommercial.com.au](http://www.havitcommercial.com.au)  
 Email: [sales@havitcommercial.com.au](mailto:sales@havitcommercial.com.au)  
 Phone: 02 9381 8383

ADDRESS: 8/133 Beauchamp Road, Matraville, N.S.W., 2036



Warranty T & Cs



Website



PRODUCT SPECIFICATIONS	
MATERIAL	ALUMINIUM
COLOUR / FINISH	POLY POWDER COATED BLACK
INSTALLATION	GROUND - SPIKE OR SURFACE MOUNTED
COLOUR TEMP	3000K   4000K   5500K (TRI-COLOUR)
LUMENS	915LM   1230LM   1055LM
INPUT VOLTAGE	24V DC
LAMP EXPECTANCY	>50000HRS*
CABLE LENGTH	1000MM
LAMP BASE	BUILT IN 24W LED
DIMMING	NON-DIMMABLE
CRI	RA >80
SDCM	<6
UGR	<25
BEAM ANGLE	30°
IK RATING	IK10
IP RATING	IP65
WARRANTY	5 YEARS REPLACEMENT



3000K



4000K



5500K

**IP65**  
INDOOR/OUTDOOR WEATHERPROOF

**5**  
Years Warranty

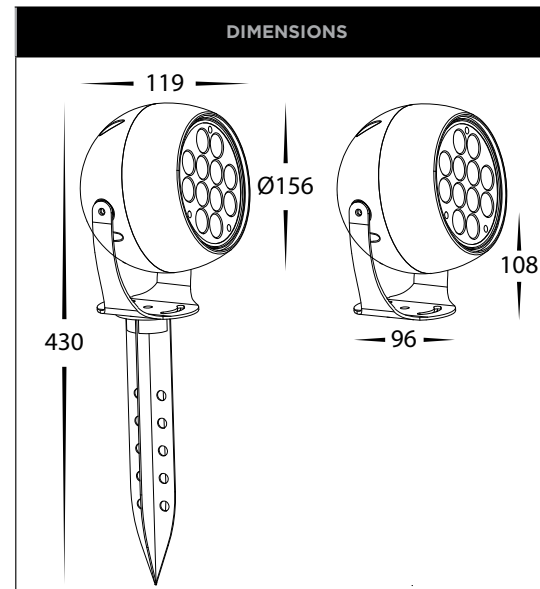
**TRI COLOUR** 3000K 4000K 5500K

## PRODUCT ORDERING

ALUMINIUM BLACK		
HCP-242303	3000K 4000K 5500K	915LM 1230LM 1055LM



SCAN HERE & EXPLORE  
 ALL NON-DIMMABLE  
 24v DC LED DRIVERS



## OPTIONAL HAVIT COMPATIBLE ACCESSORIES

IMAGE	PART NUMBER	DESCRIPTION
	24v DC LED Drivers	SEE CATALOGUE OR WEBSITE FOR FULL RANGE OF 24V DC LED DRIVERS

\*See Warranty Terms & Conditions for more information.