

BLACK 12W TRI COLOUR BALL SPOT LIGHT

Web: www.havitcommercial.com.au
 Email: sales@havitcommercial.com.au
 Phone: 02 9381 8383

ADDRESS: 8/133 Beauchamp Road, Matraville, N.S.W., 2036



Warranty T & Cs



Website



PRODUCT SPECIFICATIONS	
MATERIAL	ALUMINIUM
COLOUR / FINISH	POLY POWDER COATED BLACK
INSTALLATION	GROUND - SPIKE OR SURFACE MOUNTED
COLOUR TEMP	3000K 4000K 5500K (TRI-COLOUR)
LUMENS	480LM 660LM 545LM
LAMP EXPECTANCY	>50000hrs*
CABLE LENGTH	1000MM
INPUT VOLTAGE	24V DC
LAMP BASE	BUILT IN 12W LED
DIMMING	NON-DIMMABLE
CRI	RA >80
SDCM	<6
UGR	<25
BEAM ANGLE	30°
IK RATING	IK10
IP RATING	IP65
WARRANTY	5 YEARS REPLACEMENT



3000K



4000K



5500K

IP65
INDOOR/OUTDOOR WEATHERPROOF

5
Years Warranty

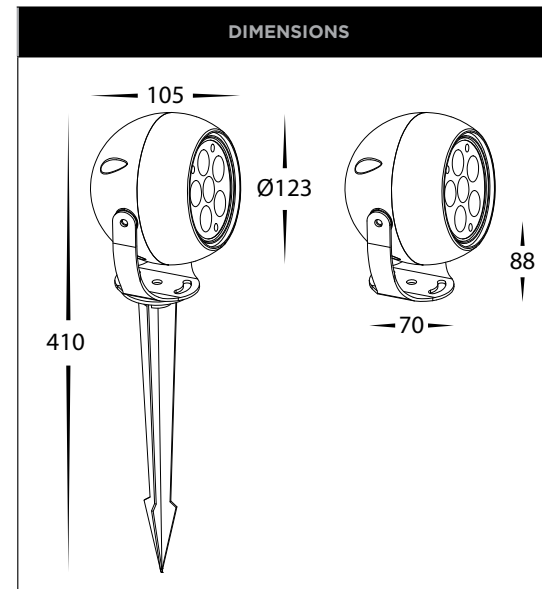
TRI COLOUR 3000K 4000K 5500K
3000K 4000K 5500K

PRODUCT ORDERING

ALUMINIUM BLACK		
HCP-242183	3000K 4000K 5500K	480LM 660LM 545LM



SCAN HERE & EXPLORE ALL NON-DIMMABLE 24V DC LED DRIVERS



OPTIONAL HAVIT COMPATIBLE ACCESSORIES

IMAGE	PART NUMBER	DESCRIPTION
	24v DC LED Drivers	SEE CATALOGUE OR WEBSITE FOR FULL RANGE OF 24V DC LED DRIVERS

*See Warranty Terms & Conditions for more information.