

2X 6W UP & DOWN WALL LIGHTS

Web: www.havitcommercial.com.au
 Email: sales@havitcommercial.com.au
 Phone: 02 9381 8383

ADDRESS: 8/133 Beauchamp Road, Matraville, N.S.W., 2036



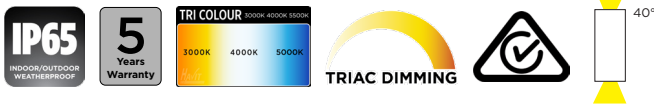
Warranty T & Cs



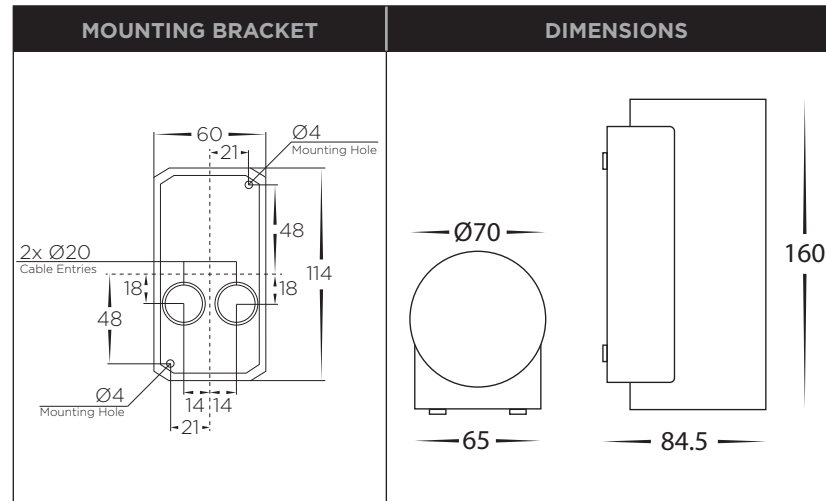
Website



PRODUCT SPECIFICATIONS	
MATERIAL	ALUMINIUM
COLOUR / FINISH	MATT BLACK MATT WHITE
COLOUR TEMP	TRI-COLOUR 3000K 4000K 5000K
LUMENS	2x 480LM 2x 535LM 2x 520LM
INPUT VOLTAGE	240V AC
LAMP BASE	2x 6W LED
LAMP EXPECTANCY	>30,000HRS*
DIMMING	TRIAC DIMMABLE
CRI	RA>90
BEAM ANGLE	40°
SDCM	<3
UGR	<24
IK RATING	IK08
IP RATING	IP65
WARRANTY	5 YEARS REPLACEMENT*



ALUMINIUM BLACK				
HCP-212121	3000K 4000K 5000K	2x 480LM 2x 535LM 2x 520LM	TRIAC DIMMABLE	2x 6w 240v Built in LED
ALUMINIUM WHITE				
HCP-213121	3000K 4000K 5000K	2x 480LM 2x 535LM 2x 520LM	TRIAC DIMMABLE	2x 6w 240v Built in LED



*See Warranty Terms & Conditions for More Information